



Product Specification

SPECIFICATION FOR APPROVAL

- () Preliminary Specification
- (●) Final Specification

Title	15.4" WUXGA TFT LCD
-------	---------------------

BUYER	Lenovo
MODEL	

SUPPLIER	LG.Philips LCD Co., Ltd.
*MODEL	LP154WU1
Suffix	TLB1

*When you obtain standard approval, please use the above model name without suffix

SIGNATURE	DATE
/	_____
/	_____
/	_____

SIGNATURE	DATE
S.C.YUN / G.Manager	_____
REVIEWED BY	
Y.S.HA / Manager	_____
/ Manager	_____
PREPARED BY	
P.A.CHOI / Engineer	_____
/ Engineer	_____

Please return 1 copy for your confirmation with your signature and comments.

**Products Engineering Dept.
LG. Philips LCD Co., Ltd**

Product Specification

Contents

No	ITEM	Page
	COVER	1
	CONTENTS	2
	RECORD OF REVISIONS	3
1	GENERAL DESCRIPTION	4
2	ABSOLUTE MAXIMUM RATINGS	5
3	ELECTRICAL SPECIFICATIONS	
3-1	ELECTRICAL CHARACTREISTICS	6
3-2	INTERFACE CONNECTIONS	7
3-3	SIGNAL TIMING SPECIFICATIONS	9
3-4	SIGNAL TIMING WAVEFORMS	9
3-5	COLOR INPUT DATA REFERNECE	10
3-6	POWER SEQUENCE	11
4	OPTICAL SFECIFICATIONS	12
5	MECHANICAL CHARACTERISTICS	16
6	RELIABLITY	20
7	INTERNATIONAL STANDARDS	
7-1	SAFETY	21
7-2	EMC	21
8	PACKING	
8-1	DESIGNATION OF LOT MARK	22
8-2	PACKING FORM	22
8-3	Label description	23
9	PRECAUTIONS	24
A	APPENDIX. Enhanced Extended Display Identification Data	26
B	APPENDIX. Special Statements for LP154WU1-TLB1 of Lenovo's Notebook	28

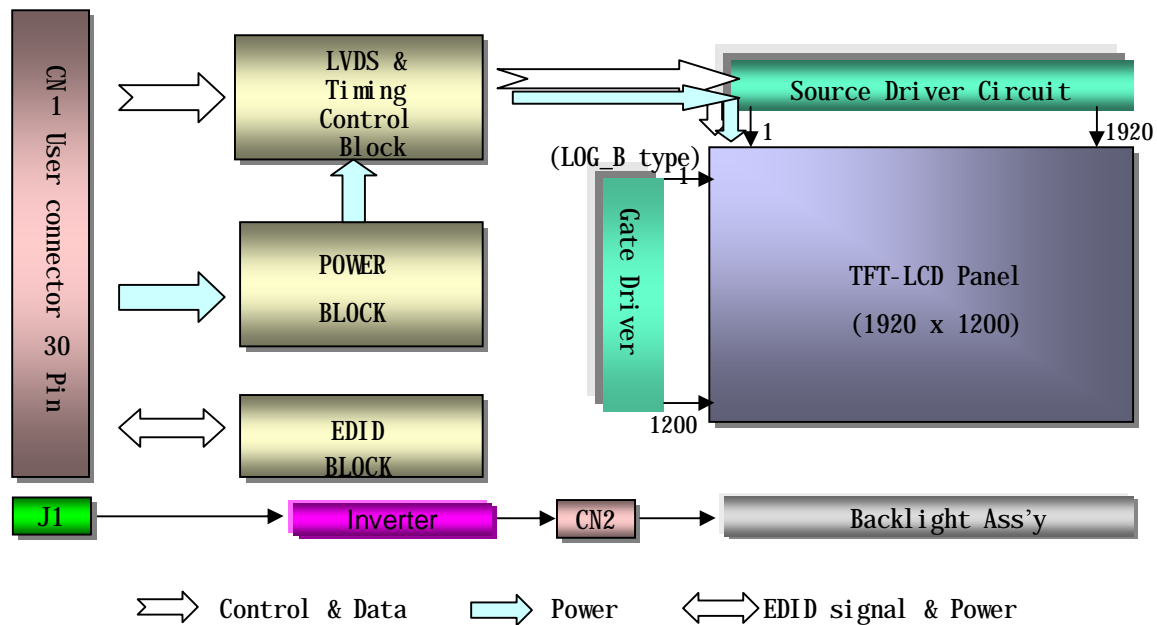
Product Specification

1. General Description

The LP154WU1 is a Color Active Matrix Liquid Crystal Display with an integral Cold Cathode Fluorescent Lamp (CCFL) backlight system. The matrix employs a-Si Thin Film Transistor as the active element. It is a transmissive type display operating in the normally white mode. This TFT-LCD has 15.4 inches diagonally measured active display area with WUXGA resolution(1920 horizontal by 1200 vertical pixel array). Each pixel is divided into Red, Green and Blue sub-pixels or dots which are arranged in vertical stripes. Gray scale or the brightness of the sub-pixel color is determined with a 6-bit gray scale signal for each dot, thus, presenting a palette of more than 262,144 colors.

The LP154WU1 has been designed to apply the interface method that enables low power, high speed, low EMI.

The LP154WU1 is intended to support applications where thin thickness, low power are critical factors and graphic displays are important. In combination with the vertical arrangement of the sub-pixels, the LP154WU1(TLB1) characteristics provide an excellent flat display for office automation products such as Notebook PC.



General Features

Active Screen Size	15.4 inches diagonal
Outline Dimension	344 (H,Typ) × 222(V,Typ) × 6.5(D, max) mm
Pixel Pitch	0.1725 mm × 0.1725 mm
Pixel Format	1920 horiz. by 1200 vert. Pixels RGB strip arrangement
Color Depth	6-bit, 262,144 colors
Luminance, White	175 cd/m ² (Typ.) , 5 point
Power Consumption	Total 5.97 Watt(Typ.) @ LCM circuit 1.77 Watt(Typ.), B/L input 4.2 Watt(Typ.)
Weight	580g (Max.)
Display Operating Mode	Transmissive mode, normally white
Surface Treatment	Hard coating 2H, Anti-glare, Anti-reflection, Anti-electrostatic treatment of the front polarizer (Nitto Denko ARC 150T)
RoHS Comply panel	Yes

Product Specification

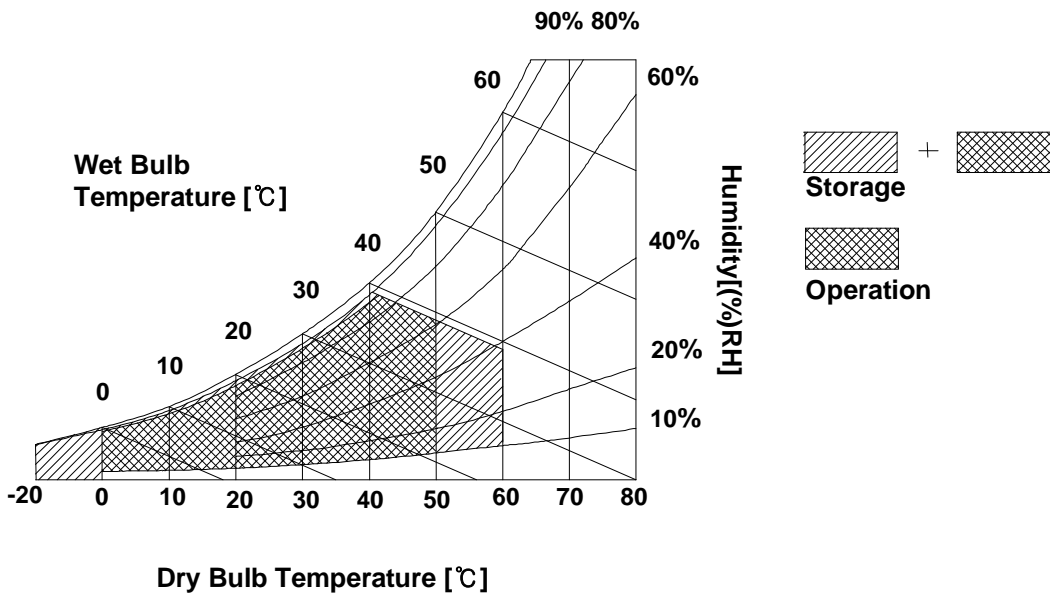
2. Absolute Maximum Ratings

The following are maximum values which, if exceeded, may cause faulty operation or damage to the unit.

Table 1. ABSOLUTE MAXIMUM RATINGS

Parameter	Symbol	Values		Units	Notes
		Min	Max		
Power Input Voltage	VCC	-0.3	4.0	Vdc	at 25 ± 5°C
Operating Temperature	TOP	0	50	°C	1
Storage Temperature	HST	-20	60	°C	1
Operating Ambient Humidity	HoP	10	90	%RH	1
Storage Humidity	HST	10	90	%RH	1

Note : 1. Temperature and relative humidity range are shown in the figure below.
Wet bulb temperature should be 39°C Max, and no condensation of water.



Product Specification

3. Electrical Specifications

3-1. Electrical Characteristics

The LP154WU1(TLB1) requires two power inputs. One is employed to power the LCD electronics and to drive the TFT array and liquid crystal. The second input which powers the CCFL, is typically generated by an inverter. The inverter is an external unit to the LCD.

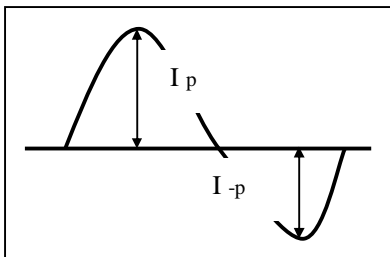
Table 2. ELECTRICAL CHARACTERISTICS

Parameter	Symbol	Values			Unit	Notes
		Min	Typ	Max		
MODULE :						
Power Supply Input Voltage	VCC	3.0	3.3	3.6	V _{DC}	
Windows XP desktop pattern	I _{CC}	-	535	616	mA	
Power Consumption (W XP)	P _c	-	1.77	2.04	Watt	
Black	I _{CC}	-	620	713	mA	
Power Consumption (Black) (Max Power pattern)	P _c	-	2.05	2.36	Watt	
Mosaic	I _{CC}	-	510	587	mA	
Power Consumption (Mosaic)	P _c	-	1.69	1.94	Watt	1
Differential Impedance	Z _m	90	100	110	Ohm	2
LAMP :						
Operating Voltage	V _{BL}	680 (6.5mA)	695 (6.0mA)	895 (2.0mA)	V _{RMS}	3
Operating Current	I _{BL}	2.0	6.0	6.5	mA _{RMS}	4
Power Consumption	P _{BL}	-	4.2	4.4		9
Operating Frequency	f _{BL}	45	60	80	kHz	7
Discharge Stabilization Time	T _s	-	-	3	Min	5
Life Time		12,000	-	-	Hrs	6
Established Starting Voltage at 25°C at 0°C	V _s			1,200 1,400	V _{RMS} V _{RMS}	8

Product Specification

Note)

1. The power consumption are under the $V_{cc} = 3.3V$, $25^{\circ}C$, $f_v = 60Hz$ condition whereas Windows XP, Black and Mosaic pattern is displayed and f_v is the frame frequency.
2. This impedance value is needed to proper display and measured form LVDS Tx to the mating connector.
3. The variance of the voltage is $\pm 10\%$.
4. The typical operating current is for the typical surface luminance (L_{WH}) in optical characteristics.
5. Define the brightness of the lamp after being lighted for 5 minutes as 100%, T_s is the time required for the brightness of the center of the lamp to be not less than 95%.
6. The life time is determined as the time at which brightness of lamp is 50% compare to that of initial value at the typical lamp current.
7. The output of the inverter must have symmetrical(negative and positive) voltage waveform and symmetrical current waveform.(Asymmetrical ratio is less than 10%) Please do not use the inverter which has asymmetrical voltage and asymmetrical current and spike wave.
Lamp frequency may produce interface with horizontal synchronous frequency and as a result this may cause beat on the display. Therefore lamp frequency shall be as away possible from the horizontal synchronous frequency and from its harmonics in order to prevent interference.
8. The voltage above VS should be applied to the lamps for more than 1 second for start-up. Otherwise, the lamps may not be turned on. The used lamp current is the lamp typical current.
9. The lamp power consumption shown above does not include loss of external inverter.
The applied lamp current is a typical one.
Requirements for a system inverter design, which is intended to have a better display performance, a better power efficiency and a more reliable lamp, are following.
It shall help increase the lamp lifetime and reduce leakage current.
 - a. The asymmetry rate of the inverter waveform should be less than 10%.
 - b. The distortion rate of the waveform should be within $\sqrt{2} \pm 10\%$.
* Inverter output waveform had better be more similar to ideal sine wave.



* Asymmetry rate:

$$\frac{|I_p - I_{-p}|}{I_{rms}} * 100\%$$

* Distortion rate

$$I_p \text{ (or } I_{-p}) / I_{rms}$$

- ※ Do not attach a conducting tape to lamp connecting wire.
If the lamp wire attach to a conducting tape, TFT-LCD Module has a low luminance and the inverter has abnormal action. Because leakage current is occurred between lamp wire and conducting tape.

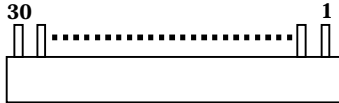
Product Specification

3-2. Interface Connections

This LCD employs two interface connections, a 30 pin connector is used for the module electronics interface and the other connector is used for the integral backlight system.

The electronics interface connector is a model FI-XB30SR-HF11-NPB manufactured by JAE or LGC only.

Table 3. MODULE CONNECTOR PIN CONFIGURATION (CN1)

Pin	Symbol	Description	Notes
1	GND	Ground	1, Interface chips 1.1 LCD : SW0610_M(LCD Controller) including LVDS Receiver 1.2 System : THC63LVD823A or equivalent * Pin to Pin compatible with THINE LVDS 2. Connector 2.1 LCD : FI-XB30SR-HF11-NPB(JAE) or GT101-30S-HR11(LGC) 2.2 Mating : FI-X30M or equivalent. 2.3 Connector pin arrangement  [LCD Module Rear View]
2	VCC	Power Supply, 3.3V Typ.	
3	VCC	Power Supply, 3.3V Typ.	
4	V EEDID	DDC 3.3V power	
5	NC	Reserved for supplier test point	
6	Clk EEDID	DDC Clock	
7	DATA EEDID	DDC Data	
8	R _{IN} 0-	Odd channel differential data input	
9	R _{IN} 0+	Odd channel differential data input	
10	GND	Ground	
11	R _{IN} 1-	Odd channel differential data input	
12	R _{IN} 1+	Odd channel differential data input	
13	GND	Ground	
14	R _{IN} 2-	Odd channel differential data input	
15	R _{IN} 2+	Odd channel differential data input	
16	GND	Ground	
17	CLKIN-	Odd channel differential clock input	
18	CLKIN+	Odd channel differential clock input	
19	GND	Ground	
20	RA2-	Even channel differential data input	
21	RA2+	Even channel differential data input	
22	GND	Ground	
23	RB2-	Even channel differential data input	
24	RB2+	Even channel differential data input	
25	GND	Ground	
26	RC2-	Even channel differential data input	
27	RC2+	Even channel differential data input	
28	GND	Ground	
29	RCLK2-	Even channel differential clock input	
30	RCLK2+	Even channel differential clock input	

The backlight interface connector is a model BHSR-02VS-1, manufactured by JST.

The mating connector part number is SM02B-BHSS-1 or equivalent.

Table 5. BACKLIGHT CONNECTOR PIN CONFIGURATION (J3)

Pin	Symbol	Description	Notes
1	HV	Power supply for lamp (High voltage side)	1
2	LV	Power supply for lamp (Low voltage side)	1

Notes : 1. The high voltage side terminal is colored skyblue and the low voltage side terminal is green



Product Specification

3-5. Color Input Data Reference

The brightness of each primary color (red, green and blue) is based on the 6-bit gray scale data input for the color ; the higher the binary input, the brighter the color. The table below provides a reference for color versus data input.

Table 7. COLOR DATA REFERENCE

Color		Input Color Data																	
		RED						GREEN						BLUE					
		MSB			LSB			MSB			LSB			MSB			LSB		
		R5	R4	R3	R2	R1	R0	G5	G4	G3	G2	G1	G0	B5	B4	B3	B2	B1	B0
Basic Color	Black	0	0	0	0	0	0	0	0	0	0	0	0	0	0	0	0	0	0
	Red	1	1	1	1	1	1	0	0	0	0	0	0	0	0	0	0	0	0
	Green	0	0	0	0	0	0	1	1	1	1	1	1	0	0	0	0	0	0
	Blue	0	0	0	0	0	0	0	0	0	0	0	0	1	1	1	1	1	1
	Cyan	0	0	0	0	0	0	1	1	1	1	1	1	1	1	1	1	1	1
	Magenta	1	1	1	1	1	1	0	0	0	0	0	0	1	1	1	1	1	1
	Yellow	1	1	1	1	1	1	1	1	1	1	1	1	0	0	0	0	0	0
	White	1	1	1	1	1	1	1	1	1	1	1	1	1	1	1	1	1	1
RED	RED (00)	0	0	0	0	0	0	0	0	0	0	0	0	0	0	0	0	0	0
	RED (01)	0	0	0	0	0	1	0	0	0	0	0	0	0	0	0	0	0	0
					
	RED (62)	1	1	1	1	1	0	0	0	0	0	0	0	0	0	0	0	0	0
	RED (63)	1	1	1	1	1	1	0	0	0	0	0	0	0	0	0	0	0	0
GREEN	GREEN (00)	0	0	0	0	0	0	0	0	0	0	0	0	0	0	0	0	0	0
	GREEN (01)	0	0	0	0	0	0	0	0	0	0	0	1	0	0	0	0	0	0
					
	GREEN (62)	0	0	0	0	0	0	1	1	1	1	1	0	0	0	0	0	0	0
	GREEN (63)	0	0	0	0	0	0	1	1	1	1	1	1	0	0	0	0	0	0
BLUE	BLUE (00)	0	0	0	0	0	0	0	0	0	0	0	0	0	0	0	0	0	0
	BLUE (01)	0	0	0	0	0	0	0	0	0	0	0	0	0	0	0	0	0	1
					
	BLUE (62)	0	0	0	0	0	0	0	0	0	0	0	0	1	1	1	1	1	0
	BLUE (63)	0	0	0	0	0	0	0	0	0	0	0	0	1	1	1	1	1	1

Product Specification

4. Optical Specification

Optical characteristics are determined after the unit has been 'ON' and stable for approximately 30 minutes in a dark environment at 25°C. The values specified are at an approximate distance 50cm from the LCD surface at a viewing angle of Φ and Θ equal to 0°.

FIG. 1 presents additional information concerning the measurement equipment and method.

FIG. 1 Optical Characteristic Measurement Equipment and Method

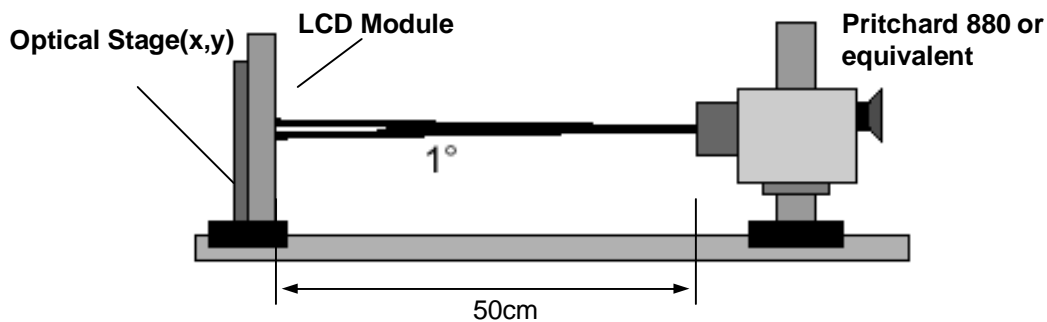


Table 9. OPTICAL CHARACTERISTICS

Ta=25°C, VCC=3.3V, fv=60Hz, fCLK= 161.12MHz, Iout = 6.0mA

Parameter	Symbol	Values			Units	Notes
		Min	Typ	Max		
Contrast Ratio	CR	200	300	-		1
Surface Luminance, white	L _{WH}	150	175	-	cd/m ²	2
Luminance Variation (%)	$\delta_{\text{WHITE}(13p)}$	60	-	-	%	3
	$\delta_{\text{WHITE}(5p)}$	80	-	-	%	
Response Time						4
Rise Time+Decay Time	Tr _R +Tr _D	-	16	30	ms	
Color Coordinates						
RED	RX	0.566	0.596	0.626		±0.03
RY		0.321	0.351	0.381		
GREEN	GX	0.293	0.323	0.353		
GY		0.519	0.549	0.579		
BLUE	BX	0.128	0.158	0.188		
BY		0.118	0.148	0.178		
WHITE	WX	0.285	0.313	0.341		±0.028
WY		0.309	0.329	0.349		±0.020
Viewing Angle						5
x axis, right($\Phi=0^\circ$)	Θ_r	60	65	-	degree	
x axis, left ($\Phi=180^\circ$)	Θ_l	60	65	-	degree	
y axis, up ($\Phi=90^\circ$)	Θ_u	45	50	-	degree	
y axis, down ($\Phi=270^\circ$)	Θ_d	45	50	-	degree	
Gray Scale						6



Product Specification

Note)

1. Contrast Ratio(CR) is defined mathematically as

$$\text{Contrast Ratio} = \frac{\text{Surface Luminance with all white pixels}}{\text{Surface Luminance with all black pixels}}$$

2. Surface luminance is the 5point (1~5)average across the LCD surface 50cm from the surface with all pixels displaying white. For more information see FIG 2.

When $I_{BL} = 6.0\text{mA}$, $L_{WH} = 175\text{cd/m}^2(\text{typ.})$

3. Luminance % Variation is measured for 13 point For more information see FIG 2.

$$\delta \text{ WHITE} = \frac{\text{Minimum (LN1, LN2, LN13)}}{\text{Maximum(LN1, LN2, LN13)}} \times 100 (\%)$$

4. Response time is the time required for the display to transition from white to black (rise time, Tr_R) and from black to white(Decay Time, Tr_D). For additional information see FIG 3.

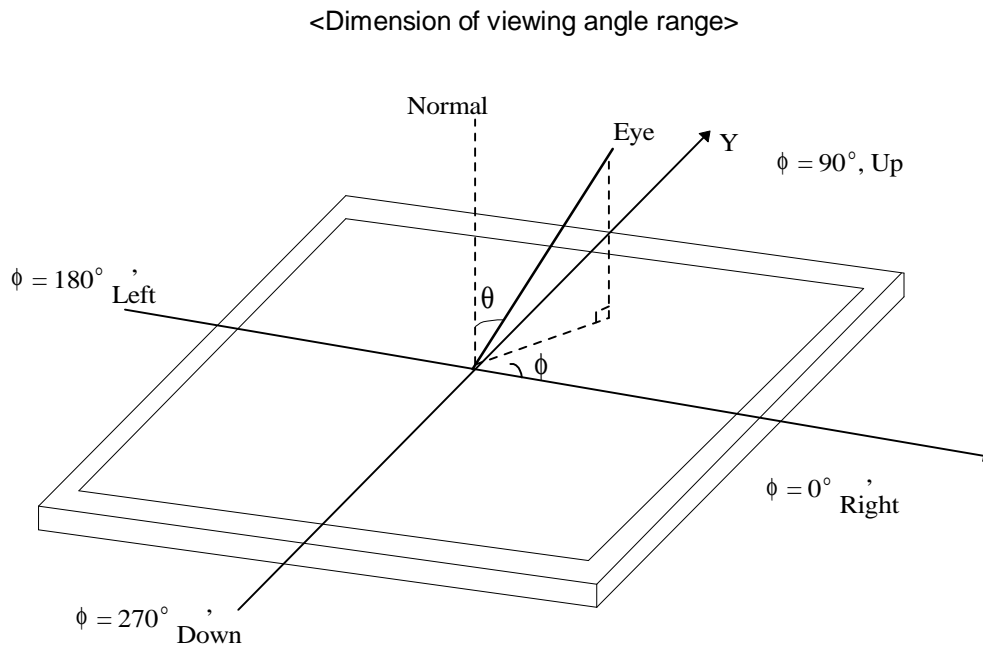
5. Viewing angle is the angle at which the contrast ratio is greater than 10. The angles are determined for the horizontal or x axis and the vertical or y axis with respect to the z axis which is normal to the LCD surface. For more information see FIG 4.

6. Gray scale specification

* $f_v = 60\text{Hz}$

Gray Level	Luminance [%] (Typ)
L0	0.1
L7	1.0
L15	4.0
L23	11
L31	21
L39	35
L47	53
L55	75
L63	100

FIG. 4 Viewing angle



Product Specification

5. Mechanical Characteristics

The contents provide general mechanical characteristics for the model LP154WU1(TLB1). In addition the figures in the next page are detailed mechanical drawing of the LCD.

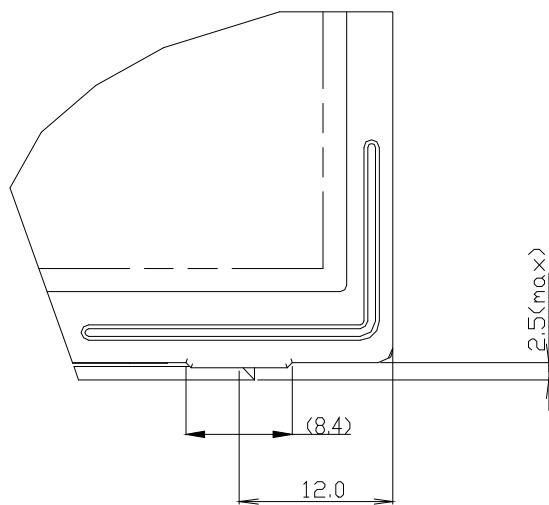
Outline Dimension	Horizontal	344.0 ± 0.5mm
	Vertical	222.0 ± 0.5mm
	Depth	6.2 ± 0.3mm
Bezel Area	Horizontal	335.0 ± 0.5mm
	Vertical	210.7 ± 0.5mm
Active Display Area	Horizontal	331.2 mm
	Vertical	207.0 mm
Weight	580g (MAX)	
Surface Treatment	Hard coating 2H, Anti-glare, Anti-reflection, Anti-electrostatic treatment of the front polarizer (Nitto Denko ARC 150T)	

Product Specification

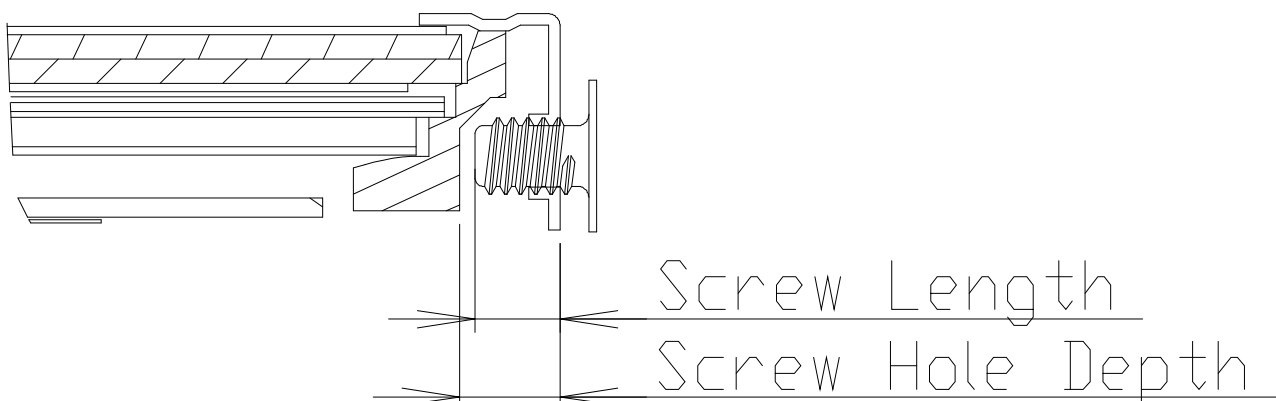
[**DETAIL DESCRIPTION OF SIDE MOUNTING SCREW**]

U Screw Depth & Torque (8 point)

- I Mounting hole location : 3.7 ± 0.3**
- I Screw(8EA) Torque : 2.5kgf.cm(Max)**
- I Screw Hole Depth : 2.5mm(Min)**
- I Screw Length : 2.5mm(Max), 2.0mm(Min)**



DETAIL A
SCALE 2/1



Note) Unit:[mm], General tolerance: ± 0.5 mm

Product Specification

6. Reliability

Environment test condition

No.	Test Item	Conditions
1	High temperature storage test	Ta= 60°C, 240h
2	Low temperature storage test	Ta= -20°C, 240h
3	High temperature operation test	Ta= 50°C, 50%RH, 240h
4	Low temperature operation test	Ta= 0°C, 240h
5	Vibration test (non-operating)	Sine wave, 10 ~ 500Hz, 1.5G, 3 axis, 1hour/axis
6	Shock test (non-operating)	- No functional or cosmetic defects following a shock to all 6 sides delivering at least 200 G in a half sine pulse no longer than 2 ms to the display module - No functional defects following a shock delivering at least 260 g in a half sine pulse no longer than 2 ms to each of 6 sides. Each of the 6 sides will be shock tested with one each display, for a total of 6 displays
7	Altitude operating storage / shipment	0 ~ 10,000 feet (3,048m) 24Hr 0 ~ 40,000 feet (12,192m) 24Hr

{ Result Evaluation Criteria }

There should be no change which might affect the practical display function when the display quality test is conducted under normal operating condition.

7. International Standards

7-1. Safety

- a) UL 60950-1:2003, First Edition, Underwriters Laboratories, Inc., Standard for Safety of Information Technology Equipment.
- b) CAN/CSA C22.2, No. 60950-1-03 1st Ed. April 1, 2003, Canadian Standards Association, Standard for Safety of Information Technology Equipment.
- c) EN 60950-1:2001, First Edition, European Committee for Electrotechnical Standardization(CENELEC) European Standard for Safety of Information Technology Equipment.

7-2. EMC

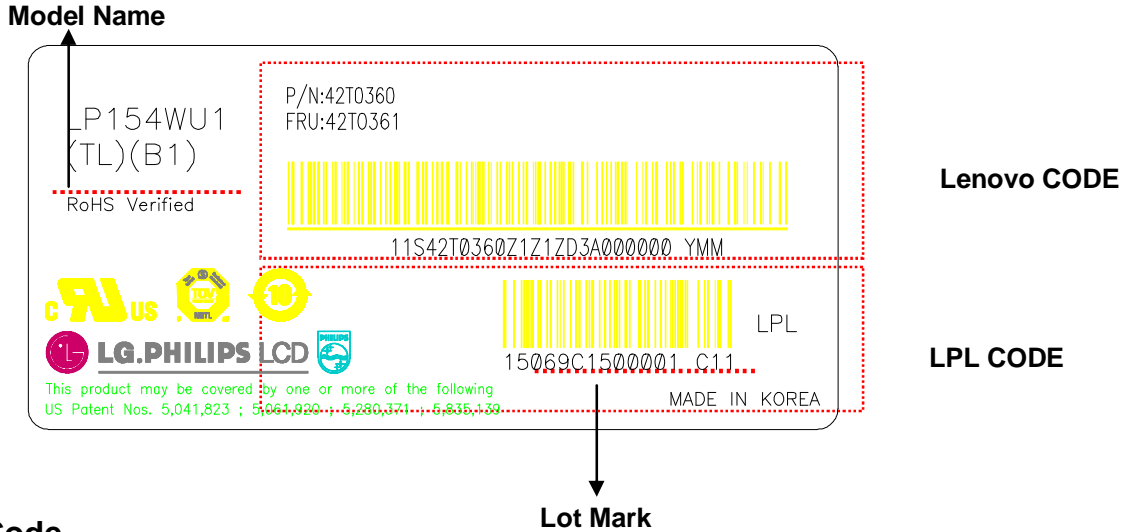
- a) ANSI C63.4 "Methods of Measurement of Radio-Noise Emissions from Low-Voltage Electrical and Electrical Equipment in the Range of 9kHz to 40GHz. "American National Standards Institute(ANSI), 1992
- b) C.I.S.P.R. "Limits and Methods of Measurement of Radio Interface Characteristics of Information Technology Equipment." International Special Committee on Radio Interference.
- c) EN 55022 "Limits and Methods of Measurement of Radio Interface Characteristics of Information Technology Equipment." European Committee for Electrotechnical Standardization.(CENELEC), 1998 (Including A1: 2000)



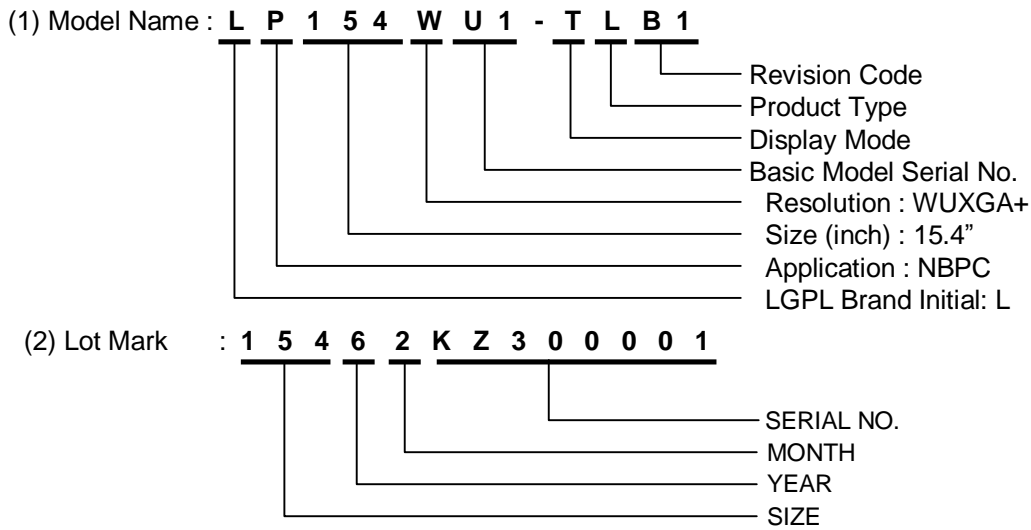
LP154WU1
Liquid Crystal Display

Product Specification

8-3. Label Description



LPL Code



Lenovo Code

- 1)P/N : 42T0360
- 2)FRU : 42T0361

9. PRECAUTIONS

Please pay attention to the followings when you use this TFT LCD module.

9-1. MOUNTING PRECAUTIONS

- (1) You must mount a module using holes arranged in four corners or four sides.
- (2) You should consider the mounting structure so that uneven force (ex. Twisted stress) is not applied to the module. And the case on which a module is mounted should have sufficient strength so that external force is not transmitted directly to the module.
- (3) Please attach the surface transparent protective plate to the surface in order to protect the polarizer. Transparent protective plate should have sufficient strength in order to resist external force.
- (4) You should adopt radiation structure to satisfy the temperature specification.
- (5) Acetic acid type and chlorine type materials for the cover case are not desirable because the former generates corrosive gas of attacking the polarizer at high temperature and the latter causes circuit break by electro-chemical reaction.
- (6) Do not touch, push or rub the exposed polarizers with glass, tweezers or anything harder than HB pencil lead. And please do not rub with dust clothes with chemical treatment. Do not touch the surface of polarizer for bare hand or greasy cloth.(Some cosmetics are detrimental to the polarizer.)
- (7) When the surface becomes dusty, please wipe gently with absorbent cotton or other soft materials like chamois soaks with petroleum benzene. Normal-hexane is recommended for cleaning the adhesives used to attach front / rear polarizers. Do not use acetone, toluene and alcohol because they cause chemical damage to the polarizer.
- (8) Wipe off saliva or water drops as soon as possible. Their long time contact with polarizer causes deformations and color fading.
- (9) Do not open the case because inside circuits do not have sufficient strength.

9-2. OPERATING PRECAUTIONS

- (1) The spike noise causes the mis-operation of circuits. It should be lower than following voltage :
 $V = \pm 200\text{mV}$ (Over and under shoot voltage)
- (2) Response time depends on the temperature.(In lower temperature, it becomes longer.)
- (3) Brightness depends on the temperature. (In lower temperature, it becomes lower.)
And in lower temperature, response time(required time that brightness is stable after turned on) becomes longer.
- (4) Be careful for condensation at sudden temperature change. Condensation makes damage to polarizer or electrical contacted parts. And after fading condensation, smear or spot will occur.
- (5) When fixed patterns are displayed for a long time, remnant image is likely to occur.
- (6) Module has high frequency circuits. Sufficient suppression to the electromagnetic interference shall be done by system manufacturers. Grounding and shielding methods may be important to minimized the interference.

9-3. ELECTROSTATIC DISCHARGE CONTROL

Since a module is composed of electronic circuits, it is not strong to electrostatic discharge. Make certain that treatment persons are connected to ground through wrist band etc. And don't touch interface pin directly.

9-4. PRECAUTIONS FOR STRONG LIGHT EXPOSURE

Strong light exposure causes degradation of polarizer and color filter.

9-5. STORAGE

When storing modules as spares for a long time, the following precautions are necessary.

- (1) Store them in a dark place. Do not expose the module to sunlight or fluorescent light. Keep the temperature between 5°C and 35°C at normal humidity.
- (2) The polarizer surface should not come in contact with any other object.
It is recommended that they be stored in the container in which they were shipped.

9-6. HANDLING PRECAUTIONS FOR PROTECTION FILM

- (1) When the protection film is peeled off, static electricity is generated between the film and polarizer.
This should be peeled off slowly and carefully by people who are electrically grounded and with well ion-blown equipment or in such a condition, etc.
- (2) The protection film is attached to the polarizer with a small amount of glue. If some stress is applied to rub the protection film against the polarizer during the time you peel off the film, the glue is apt to remain on the polarizer.
Please carefully peel off the protection film without rubbing it against the polarizer.
- (3) When the module with protection film attached is stored for a long time, sometimes there remains a very small amount of glue still on the polarizer after the protection film is peeled off.
- (4) You can remove the glue easily. When the glue remains on the polarizer surface or its vestige is recognized, please wipe them off with absorbent cotton waste or other soft material like chamois soaked with normal-hexane.

Product Specification

APPENDIX A. Enhanced Extended Display Identification Data (EEDID™) 1/3

Byte# (decimal)	Byte# (HEX)	Field Name and Comments	Data (DEC)	Data (HEX)	Input Value	Note
0	00	Header	0	00		
1	01	Header	255	FF		
2	02	Header	255	FF		
3	03	Header	255	FF		
4	04	Header	255	FF		
5	05	Header	255	FF		
6	06	Header	255	FF		
7	07	Header	0	00		
8	08	ID system Manufacturer Name	48	30	LEN	
9	09	Compressed ASCII	174	AE		
10	0A	ID Product Code (LSB)	85	55	#WUXGA	
11	0B	ID Product Code (MSB)	64	40		
12	0C	LCD Module Serial No.	0	00		
13	0D	LCD Module Serial No.	0	00		
14	0E	LCD Module Serial No.	0	00		
15	0F	LCD Module Serial No.	0	00		
16	10	Week of Manufacture	0	00	00	
17	11	Year of Manufacture	17	11	2007	
18	12	EDID Structure version	1	01	1	
19	13	EDID Revision	3	03	0.3	
20	14	Video Input Definition	128	80		
21	15	Max H image size(c_m)	33	21	33	
22	16	Max V image size(c_m)	21	15	21	
23	17	Display gamma	120	78	2.2	
24	18	Feature support(DPMS)	234	EA		
25	19	Red/Green low Bits		BA		
26	1A	Blue/White Low Bits		70		
27	1B	Red X		98	Rx = 0.596	
28	1C	Red Y		59	Ry = 0.351	
29	1D	Green X		52	Gx = 0.323	
30	1E	Green Y		8C	Gy = 0.549	
31	1F	Blue X		28	Bx = 0.158	
32	20	Blue Y		25	By = 0.148	
33	21	White X		50	Wx = 0.313	
34	22	White Y		54	Wy = 0.329	

Product Specification

APPENDIX A. Enhanced Extended Display Identification Data (EEDID™) 2/3

35	23	Established Timing I	0	00		
36	24	Established Timing II	0	00		
37	25	Manufacturer's Timings	0	00		
38	26	Standard Timing Identification 1	1	01		
39	27	Standard Timing Identification 1	1	01		
40	28	Standard Timing Identification 2	1	01		
41	29	Standard Timing Identification 2	1	01		
42	2A	Standard Timing Identification 3	1	01		
43	2B	Standard Timing Identification 3	1	01		
44	2C	Standard Timing Identification 4	1	01		
45	2D	Standard Timing Identification 4	1	01		
46	2E	Standard Timing Identification 5	1	01		
47	2F	Standard Timing Identification 5	1	01		
48	30	Standard Timing Identification 6	1	01		
49	31	Standard Timing Identification 6	1	01		
50	32	Standard Timing Identification 7	1	01		
51	33	Standard Timing Identification 7	1	01		
52	34	Standard Timing Identification 8	1	01		
53	35	Standard Timing Identification 8	1	01		
54	36	Pixel Clock/10,000 (LSB)	231	E7	150.79MHz	
55	37	Pixel Clock/10,000 (MSB) /	58	3A		
56	38	Horizontal Active	128	80	1920 pixels	
57	39	Horizontal Blanking	140	8C	140 pixels	
58	3A	Horizontal Active : Horizontal Blanking	112	70		
59	3B	Vertical Active	176	B0	1200 lines	
60	3C	Vertical Blanking	20	14	20 lines	
61	3D	Vertical Active : Vertical Blanking	64	40		
62	3E	Horizontal Sync. Offset	30	1E	30 pixels	
63	3F	Horizontal Sync Pulse Width	80	50	80 pixels	
64	40	Vertical Sync Offset : Sync Width	36	24	2/4 lines	
65	41	Horizontal Vertical Sync Offset/Width upper 2bits	0	00	0	
66	42	Horizontal Image Size	75	4B	331	
67	43	Vertical Image Size	207	CF	207	
68	44	Horizontal & Vertical Image Size (upper 4bit)	16	10		
69	45	Horizontal Border = 0	0	00		
70	46	Vertical Border = 0	0	00		
71	47	Non-interlaced,Normal display,no stereo,Digital separate sync,H/V pol negatives	25	19		
72	48	Pixel Clock/10,000 (LSB) 50Hz	22	16	125.66MHz	
73	49	Pixel Clock/10,000 (MSB) / 50Hz	49	31		
74	4A	Horizontal Active	128	80	1920 pixels	
75	4B	Horizontal Blanking	140	8C	140 pixels	
76	4C	Horizontal Active : Horizontal Blanking	112	70		
77	4D	Vertical Active	176	B0	1200 lines	
78	4E	Vertical Blanking	20	14	20 lines	
79	4F	Vertical Active : Vertical Blanking	64	40		
80	50	Horizontal Sync. Offset	30	1E	30 pixels	
81	51	Horizontal Sync Pulse Width	80	50	80 pixels	
82	52	Vertical Sync Offset : Sync Width	36	24	2/4 lines	
83	53	Horizontal Vertical Sync Offset/Width upper 2bits	0	00	0	
84	54	Horizontal Image Size	75	4B	331	
85	55	Vertical Image Size	207	CF	207	
86	56	Horizontal & Vertical Image Size (upper 4bit)	16	10		
87	57	Horizontal Border = 0	0	00		
88	58	Vertical Border = 0	0	00		
89	59	Non-interlaced,Normal display,no stereo,Digital separate sync,H/V pol negatives	25	19		

Product Specification

APPENDIX A. Enhanced Extended Display Identification Data (EEDID™) 3/3

90	5A	Detailed Timing Descriptor #3	0	00	0	
91	5B		0	00	0	
92	5C		0	00	0	
93	5D		15	0F	15	
94	5E		0	00	0	
95	5F	(Horizontal active pixel /8)-31	209	D1	209	
96	60	Image Aspect Ratio(15:9)	10	0A	16 : 10	
97	61	Low Refresh Rate #1(50Hz)	50	32	50	
98	62	(Horizontal active pixel /8)-31	209	D1	209	
99	63	Image Aspect Ratio(16:10)	10	0A	16 : 10	
100	64	Low Refresh Rate #2(40Hz)	40	28	40	
101	65	Brightness(1/10nit)	17	11	20	
102	66	Feature flag(TN mode)	1	01	1	
103	67	Reserved 00h	0	00	0	
104	68	EISA manufacturer code(3 Character ID)	50	32	LPL	
105	69	Compressed ASCII	12	0C		
106	6A	Panel Supplier Reserved - Product code		00		
107	6B	(Hex, LSB first)		00		
108	6C	Detailed Timing Descriptor #4	0	00		
109	6D		0	00		
110	6E		0	00		
111	6F		254	FE		
112	70		0	00		
113	71	(Supplier S/N)		4C	L	
114	72	(Supplier S/N)		50	P	
115	73	(Supplier S/N)		31	1	
116	74	(Supplier S/N)		35	5	
117	75	(Supplier S/N)		34	4	
118	76	(Supplier S/N)		57	W	
119	77	(Supplier S/N)		55	U	
120	78	(Supplier S/N)		31	1	
121	79	(Supplier S/N)		2D	-	
122	7A	(Supplier S/N)		54	T	
123	7B	(Supplier S/N)		4C	L	
124	7C	(Supplier S/N)		42	B	
125	7D	(Supplier S/N)		31	1	
126	7E	Extension flag = 00	0	00		
127	7F	Checksum		9A		

Product Specification

APPENDIX B. Special Statements for LP154WU1-TLB1 of Lenovo's Notebook

1. Maximum Leakage Current of CCFL

The lamp leakage current is measured by the current difference between input and output current, whereas the output current is set at 6.0 mA.

Parameter	Symbol	Values			Unit	Notes
		Min	Typ	Max		
Leakage Current	I_L		1.2	1.7	mArms	

2. In this documentation, all reliabilities are specified for timing specification based on refresh rate of 60Hz. However, LP154WU1 has a good actual performance even at lower refresh rate(eg. 40/50Hz) for power saving mode, whereas LP154WU1 is secured only for function under lower refresh rate. 60Hz at Normal mode, 40/50Hz at Power save mode. Don't care Flicker level (power save mode).