

昆山龙腾光电有限公司

InfoVision Optoelectronics (Kunshan) Co.,LTD.

Document Title	M101NWT2 R2 Product Information			Page No.	1/28
Document No.		Issue Date	2010/05/20	Revision	07

Product Information

To:

Product Name: M101NWT2 R2

Document Issue Date: 2010/05/20

- Note: 1. Please contact InfoVision Company. before designing your product based on this product.
2. The information contained herein is presented merely to indicate the characteristics and performance of our products. No responsibility is assumed by IVO for any intellectual property claims or other problems that may result from application based on the module described herein.

FQ-7-30-0-009-02C

昆山龙腾光电有限公司

InfoVision Optoelectronics (Kunshan) Co.,LTD.

Document Title	M101NWT2 R2 Product Information			Page No.	2/28
Document No.		Issue Date	2010/05/20	Revision	07

Revision	Date	Page	Old Description	New Description	Remark
00	2010/04/06	--	--	first issued	
01	2010/04/07	4	Response time :16ms(typ)	Response time : 8ms(typ)	
02	2010/04/08	8	TBD	Update Rx/y, Gx/y, Bx/y	
		11		Add LED power consumption define	
		12		modify connector type	
		18		Add VDD Rise time measure condition	
03	2010/04/09	18	T13 min value is 1000ms	Modify T13 min value is 500ms	
		19		Update front side outline drawing	
		20		Update back side outline drawing	
		22	TBD	Update package specification	
04	2010/04/12	27	TBD	Add EDID table	
05	2010/04/30	11	V_LED_EN: High 2.6V(min)	Modify to 2.0V(min)	
		13	Vcom:	Modify Vcom define 1.0(min),1.2(typ),1.4(max)	
06	2010/5/12	17	IDD 160A	Modify IDD to 160mA	
07	2010/5/20	5	Power Consumption TBD	Modify to 2.8W(max)	

昆山龙腾光电有限公司

InfoVision Optoelectronics (Kunshan) Co.,LTD.

Document Title	M101NWT2 R2 Product Information			Page No.	3/28
Document No.		Issue Date	2010/05/20	Revision	07

Contents

1	General Descriptions	4
2	Absolute Maximum Ratings	6
3	Pixel Format Image	7
4	Optical Characteristics	8
5	Backlight Characteristics	11
6	Electrical Characteristics	12
8	Power Consumption	17
9	Power ON/OFF Sequence	18
10	Mechanical Characteristics	19
11	Package Specification	22
12	Lot Mark	23
13	General Precaution	24
14	EDID Data Structure	26

昆山龙腾光电有限公司

InfoVision Optoelectronics (Kunshan) Co.,LTD.

Document Title	M101NWT2 R2 Product Information			Page No.	4/28
Document No.		Issue Date	2010/05/20	Revision	07

1 General Descriptions

1.1 Introduction

The M101NWT2 R2 is a color active matrix thin film transistor (TFT) TN liquid crystal display (LCD) that uses amorphous silicon TFT as a switching device. It is composed of a TFT LCD panel, a timing controller, voltage reference, common voltage, column driver, and row driver circuit. This TFT LCD has a 10.1-inch diagonally measured active display area with WSVGA resolution (1,024vertical by 600 horizontal pixel array).

1.2 Features

- 10.1" TFT LCD Panel
- LED Light-bar Backlight System
- Supported WSVGA (V:1024 lines, H:600 pixels) Resolution
- Compatible with RoHS Standard
- Dual Gate (2 Source + 2 Gate)

1.3 Product Summary

Items	Specifications	Unit
Screen Diagonal	10.1	Inch
Active Area	222.72(H) x 125.28(V)	mm
Pixels H x V	1,024 (x3) x 600	-
Pixel Pitch	0.2175(H)x0.2088(V)	mm
Pixel Arrangement	R.G.B. Vertical Stripe	-
Display Mode	Normally White (TN)	-
White Luminance	200 (Typ.) 5 points average	cd/ m ² (20mA of per LED)
Contrast Ratio	500 (Typ.)	-
Response Time	8 (Typ.)	ms
View Angle(L/R/U/D)	45/45/15/35(Typ.)	-
Input Voltage	+3.3 (Typ.)	V
Power Consumption	2.8 (Max)	Watt
Module Weight	190(Max.)	g
Outline Dimension (MAX)	235.5 x 143.5 x5.2	mm
Electrical Interface (Logic)	LVDS	-
Support Color	262 K	-
Color Gamut	45%(Typ.)	-
Optimum Viewing Direction	6 o'clock	-
Surface Treatment	Anti-Glare + HC	-

昆山龙腾光电有限公司

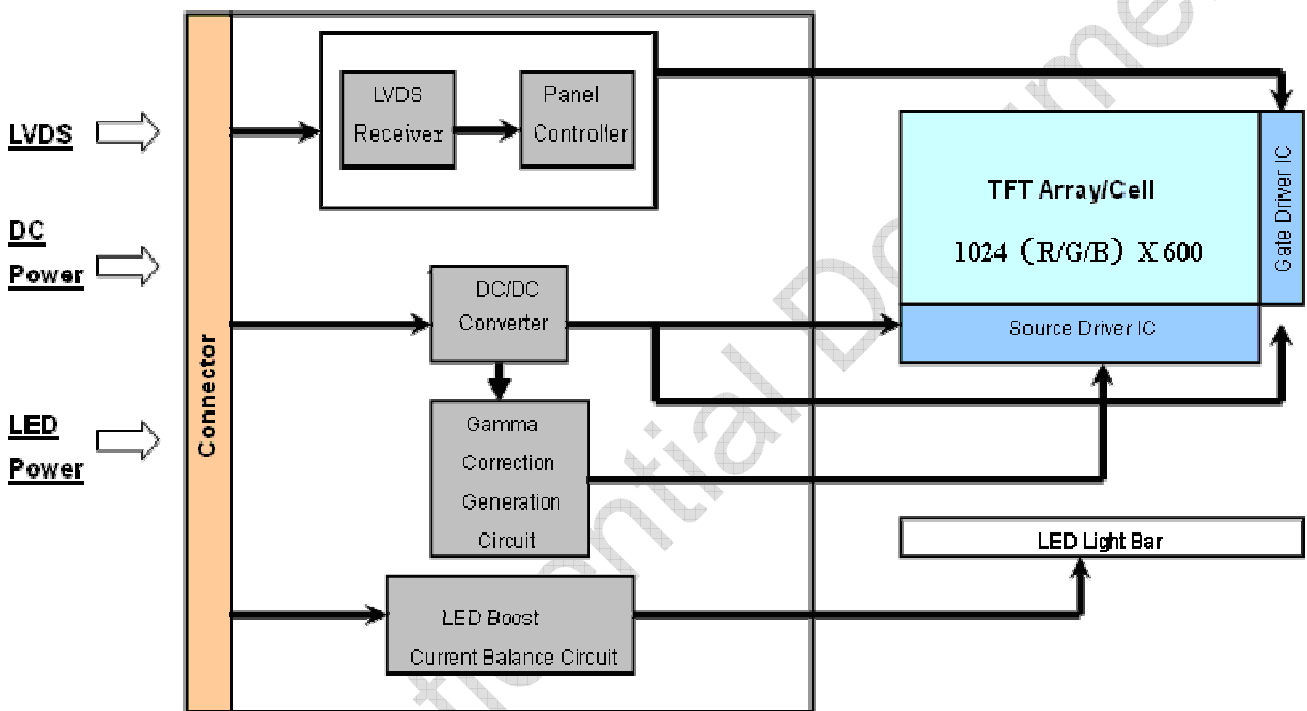
InfoVision Optoelectronics (Kunshan) Co.,LTD.

Document Title	M101NWT2 R2 Product Information			Page No.	5/28
Document No.		Issue Date	2010/05/20	Revision	07

1.4 Functional Block Diagram

Figure 1 shows the functional block diagram of the LCD module.

Figure 1 Block Diagram



昆山龙腾光电有限公司

InfoVision Optoelectronics (Kunshan) Co.,LTD.

Document Title	M101NWT2 R2 Product Information			Page No.	6/28
Document No.		Issue Date	2010/05/20	Revision	07

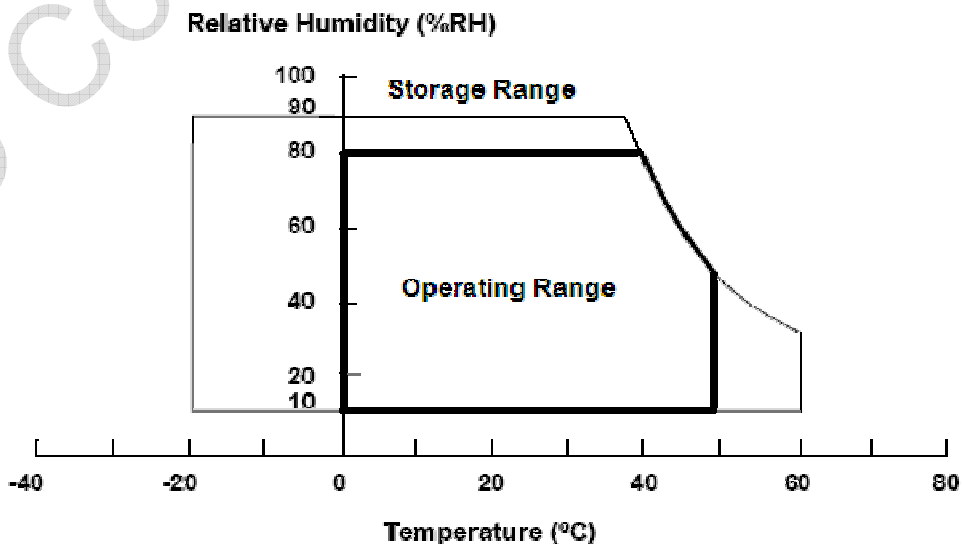
2 Absolute Maximum Ratings

Table 1

Item	Symbol	Min	Max	Unit	Conditions
Supply Voltage	VDD	-0.3	4.0	V	Typ.=3.3V
Supply V_LED voltage	V_LED	5	21	V	Typ=12V
Input Signal		-0.3	2.7	V	LVDS signals
Operating Temperature	TOP	0	50	deg. C	(Note 3)
Operating Humidity	HOP	10	80	%RH	(Note 3)
Storage Temperature	TST	-20	60	deg. C	(Note 3)
Storage Humidity	HST	10	90	%RH	(Note 3)
Vibration		-	1.5G 10~500Hz	G Hz	30min for X, Y, Z axis
Shock		-	220 2	G ms	Half sign wave
LED Current	I-LED	-	20	mA	per LED

Note

- (1) Maximum Wet-Bulb should be 39 degree C. No condensation.
- (2) When you apply the LCD module for OA system. Please make sure to keep the temperature of LCD module is less than 60°C.
- (3) Storage /Operating temperature.



昆山龙腾光电有限公司

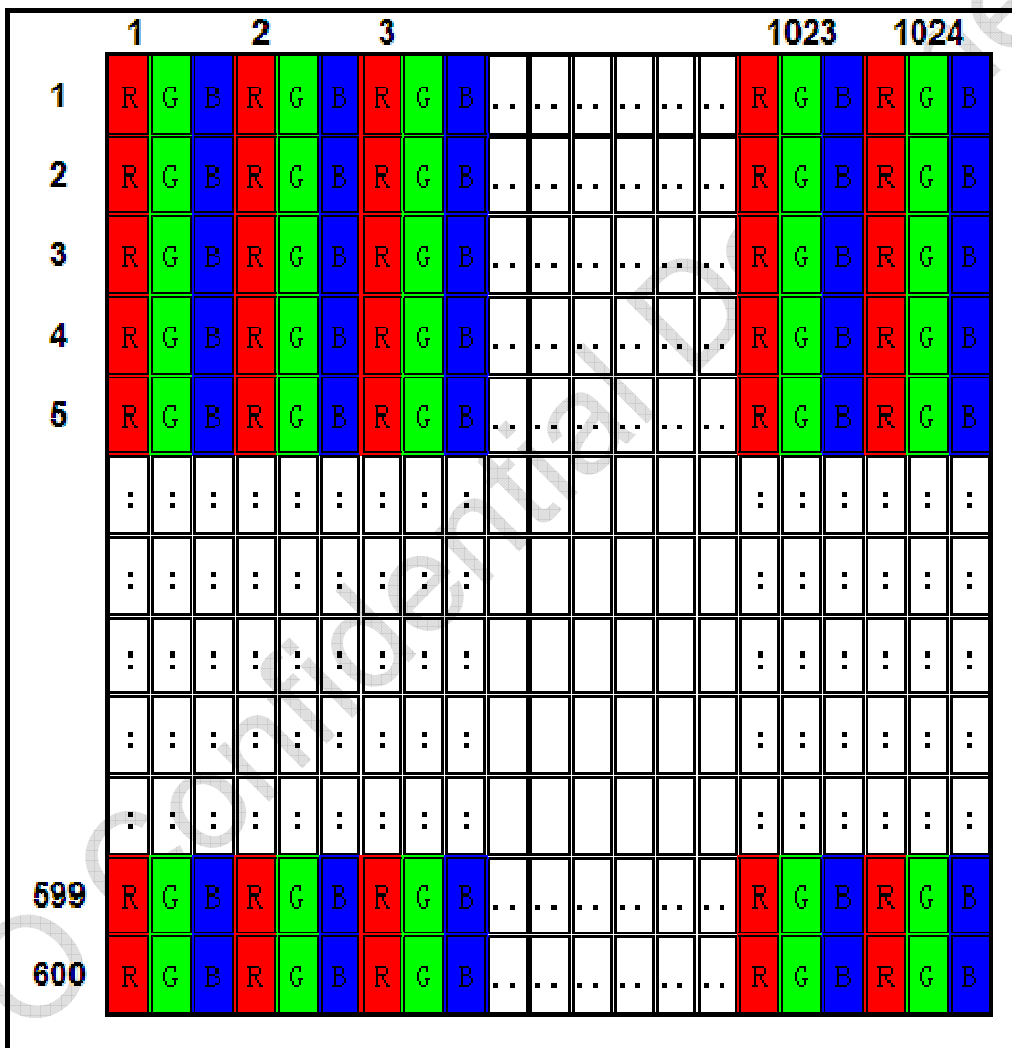
InfoVision Optoelectronics (Kunshan) Co.,LTD.

Document Title	M101NWT2 R2 Product Information			Page No.	7/28
Document No.		Issue Date	2010/05/20	Revision	07

3 Pixel Format Image

Figure 2 shows the relationship of the input signals and LCD pixel format image.

Figure 2 Pixel Format



昆山龙腾光电有限公司

InfoVision Optoelectronics (Kunshan) Co.,LTD.

Document Title	M101NWT2 R2 Product Information			Page No.	8/28
Document No.		Issue Date	2010/05/20	Revision	07

4 Optical Characteristics

The optical characteristics are measured under stable conditions as following notes.

Table 2 Optical Characteristics

Item	Conditions		Specification					
			Min	Typ.	Max	Note		
Viewing Angle [degrees] K=Contrast Ratio>10	Horizontal	Left	40	45	-	A, B		
		Right	40	45	-			
	Vertical	Up	10	15	-			
		Down	30	35	-			
Contrast ratio	Center		350	500	-	A, C		
Response Time [ms]	Rising + Falling		-	3+5	16	A, D		
Color Chromaticity (CIE1931)	Red	x	Typ. -0.03	0.579	Typ. +0.03	A,		
	Red	y		0.346		A,		
	Green	x		0.336		A,		
	Green	y		0.560		A,		
	Blue	x		0.156		A,		
	Blue	y		0.123		A,		
	White	x		0.283		0.313	0.343	A,
	White	y		0.299		0.329	0.359	A,
White Luminance [cd/m ²]	I-LED=20.0mA		180	200	-	5point A, E		
Luminance Uniformity [%]	I-LED =20mA, 13points		62.5	-	-	A, F		
	I-LED =20mA, 5points		80.0	-	-			

Note: A. Measurement Setup

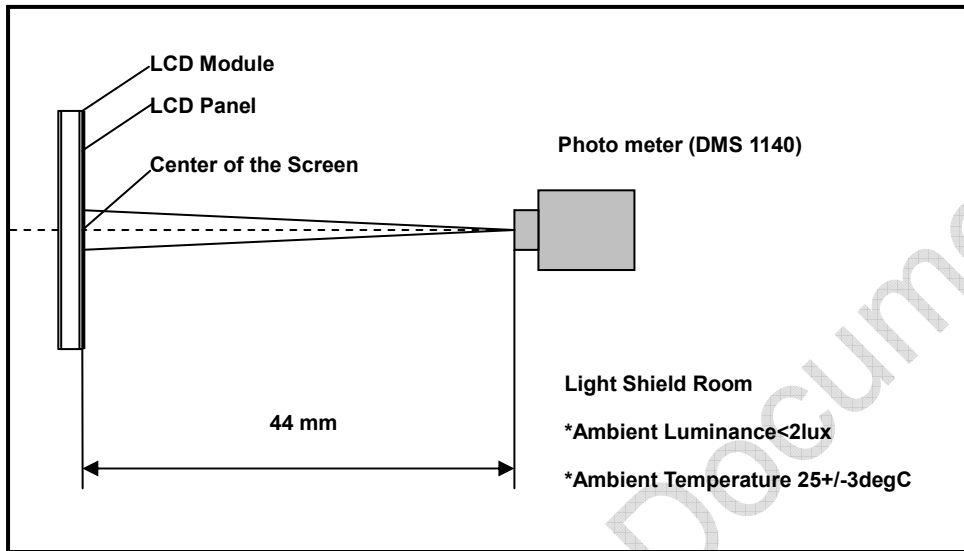
The LCD module should be stabilized at given temperature for 15 minutes to avoid abrupt temperature change during measuring. In order to stabilize the luminance, the measurement should be executed after lighting backlight for 15 minutes in a windless room.

昆山龙腾光电有限公司

InfoVision Optoelectronics (Kunshan) Co.,LTD.

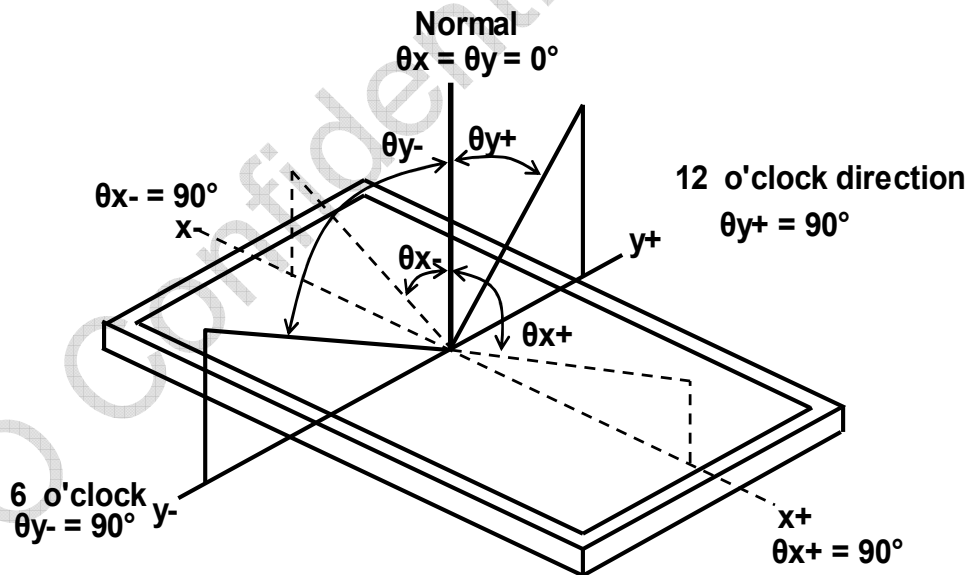
Document Title	M101NWT2 R2 Product Information			Page No.	9/28
Document No.		Issue Date	2010/05/20	Revision	07

Figure 3 Measurement Setup



B. Definition of Viewing Angle

Figure 4 Definition of Viewing Angle



C. Definition of Contrast Ratio (CR)

The contrast ratio can be calculated by the following expression

$$\text{Contrast Ratio (CR)} = L63 / L0$$

L63: Luminance of gray level 63, L0: Luminance of gray level 0

Document Title	M101NWT2 R2 Product Information			Page No.	10/28
Document No.		Issue Date	2010/05/20	Revision	07

D. Definition of Response Time (T_R, T_F)

Figure 5 Definition of Response Time

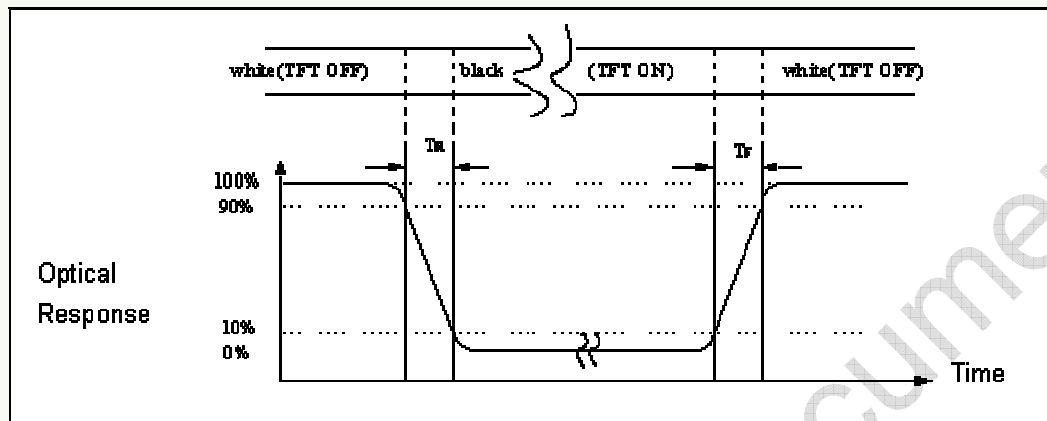
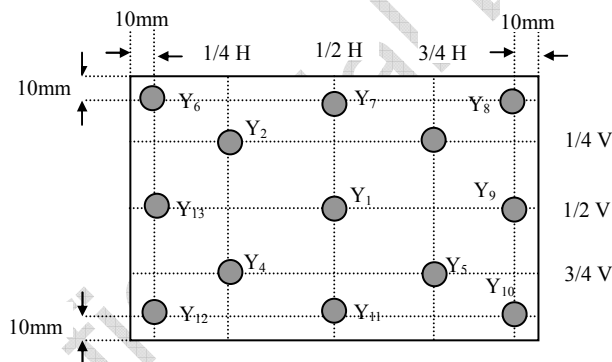


Figure 6 Measurement Locations of 13 Points



E. Definition of Luminance White

Measure the luminance of gray level 63 at center point and 5 points.

Center of Luminance = Y1

$$\text{Average Luminance of 5 points} = \frac{Y_1 + Y_2 + Y_3 + Y_4 + Y_5}{5}$$

F. Definition of Luminance Uniformity(Variation)

Measure the luminance of gray level 63 at 13 points.

$$\text{Uniformity of 13 points} = \frac{\text{Min Luminance of } Y_1 \sim Y_{13}}{\text{Max Luminance of } Y_1 \sim Y_{13}} \times 100\%$$

$$\text{Uniformity of 5 points} = \frac{\text{Min Luminance of } Y_1 \sim Y_5}{\text{Max Luminance of } Y_1 \sim Y_5} \times 100\%$$

昆山龙腾光电有限公司

InfoVision Optoelectronics (Kunshan) Co.,LTD.

Document Title	M101NWT2 R2 Product Information			Page No.	11/28
Document No.		Issue Date	2010/05/20	Revision	07

5 Backlight Characteristics**5.1 Parameter Guideline of LED Backlight****Table 3 Parameter Guideline for LED Backlight**

Symbol	Parameter		Min.	Typ.	Max.	Units	Condition
VLED	LED input		5	12	21	[V]	Ta=25[deg C]
V _F	LED Forward Voltage		2.9	3.3	3.4	[V]	Ta=25
I _F	LED Forward Current			20		[mA]	Ta=25
P _{LED}	LED Power Consumption				2.1	W	Ta=25[deg A] Note C
LT	LED Life Time		10,000	-	-	Hours	Ta=25[deg C] Note C
VPWM_EN	PWM Signal Voltage	High	2.0	3.3	3.6	V	-
		Low	0	-	0.5	V	
FPWM	Output PWM frequency		-	200	1K	Hz	-
VLED_EN	LED enable Voltage	High	2.0	3.3	3.6		-
		Low	0	-	0.5	V	
PWM	PWM Duty ratio		5	-	100	%	-

A: The LED life time define as the estimated time to 50% degradation of initial luminous.

B: Strong propose to set LED Input Voltage 12V, it would be best power efficiency.

C: Calculator value for reference $P_{LED} = VF(\text{normal Distribution}) \times IF (\text{Normal Distribution}) / \text{Efficiency}$

昆山龙腾光电有限公司

InfoVision Optoelectronics (Kunshan) Co.,LTD.

Document Title	M101NWT2 R2 Product Information			Page No.	12/28
Document No.		Issue Date	2010/05/20	Revision	07

6 Electrical Characteristics**6.1 Interface Connector****Table 4 Connector Name / Designation**

Manufacturer	Starconn/I-PEX (or equivalent)
Type / Part Number	111A40-0000RA-G3 (Starconn)
Mating Receptacle/Part Number	20453-040T (I-PEX)

Table 5 Signal Pin Assignment

Pin #	Signal Name	Description	Remarks
1	GND	Ground	
2	VDD	Power supply 3.3V(Typ.)	
3	VDD	Power supply 3.3V(Typ.)	
4	VEDID	EDID +3.3V Power	
5	NC	Not connected(Reserve)	LCD panel self test
6	CLK_EDID	EDID Clock Input	
7	DAT_EDID	EDID Data Input	
8	RXin0-	-LVDS differential data input(R0-R5,G0)	
9	RXin0+	+LVDS differential data input(R0-R5,G0)	
10	GND	Ground	
11	RXin1-	-LVDS differential data input(G1-G5,B0-B1)	
12	RXin1+	+LVDS differential data input(G1-G5,B0-B1)	
13	GND	Ground	
14	Rin2-	-LVDS differential data input(B2-B5,HS,VS,DE)	
15	Rin2+	+LVDS differential data input(B2-B5,HS,VS,DE)	
16	GND	Ground	
17	CLKN-	-LVDS differential clock input	
18	CLKN+	+LVDS differential clock input	
19	NC	Not connected(Reserve)	Reserve for Color_EN
20	NC	Not connected(Reserve)	
21	NC	Not connected(Reserve)	
22	GND	Ground-Shield	
23	NC	Not connected(Reserve)	
24	NC	Not connected(Reserve)	
25	GND	Ground-Shield	
26	NC	Not connected(Reserve)	
27	NC	Not connected(Reserve)	

昆山龙腾光电有限公司

InfoVision Optoelectronics (Kunshan) Co.,LTD.

Document Title	M101NWT2 R2 Product Information			Page No.	13/28
Document No.		Issue Date	2010/05/20	Revision	07

28	GND	Ground-Shield	
29	NC	Not connected(Reserve)	
30	NC	Not connected(Reserve)	
31	VLED_GND	LED Ground	
32	VLED_GND	LED Ground	
33	VLED_GND	LED Ground	
34	NC	Not connected(Reserve)	
35	VPWM_EN	System PWM Logic Input Level	
36	VLED_EN	LED enable Input Level(+3.3V)	
37	NC	Not connected(Reserve)	Reserve for DBC
38	VLED	LED Power Supply	
39	VLED	LED Power Supply	
40	VLED	LED Power Supply	

Note:All input signals shall be low or Hi-Z state when VDD is off.

6.2 LVDS Receiver

6.2.1 Signal Electrical Characteristics for LVDS Receiver

The built-in LVDS receiver is compatible with (ANSI/TIA/TIA-644) standard.

Table 6 LVDS Receiver Electrical Characteristics

Parameter	Symbol	Min	Typ.	Max	Unit	Conditions
Differential Input High Threshold	V _{th}	-	-	+100	mV	V _{cm} =+1.2V
Differential Input Low Threshold	V _{tl}	-100	-	-	mV	V _{cm} =+1.2V
Magnitude Differential Input Voltage	V _{id}	100	-	600	mV	
Common Mode Voltage	V _{cm}	1.0	1.2	1.4	V	
Common Mode Voltage Offset	ΔV _{cm}	-	-	50	mV	V _{cm} =+1.2V

Note:

- A. Input signals shall be low or Hi-Z state when VDD is off.
- B. All electrical characteristics for LVDS signal are defined and shall be measured at the interface connector of LCD.

Note: All values are at VDD=3.3V, Ta=25 degree C.

昆山龙腾光电有限公司

InfoVision Optoelectronics (Kunshan) Co.,LTD.

Document Title	M101NWT2 R2 Product Information			Page No.	14/28
Document No.		Issue Date	2010/05/20	Revision	07

Figure 7 Voltage Definitions

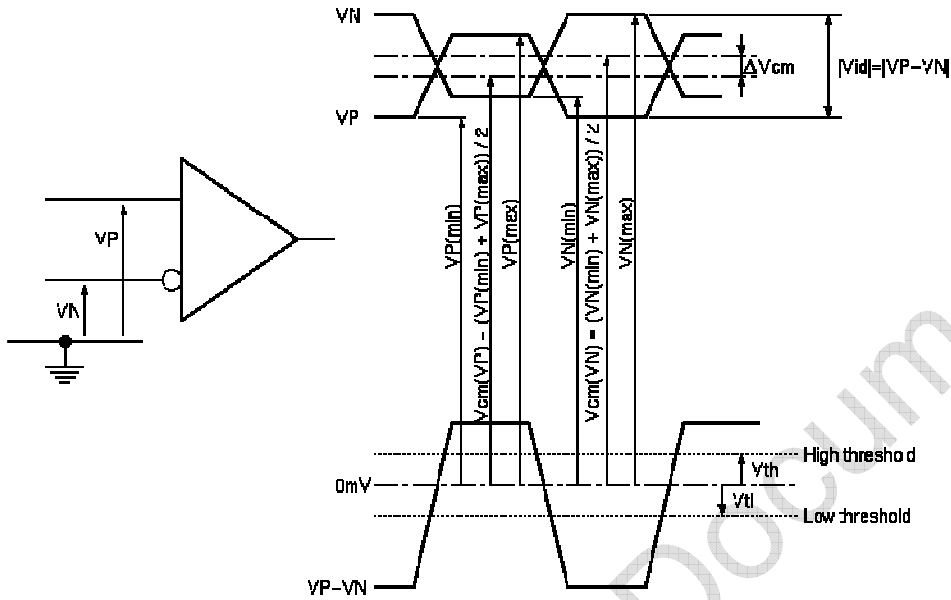
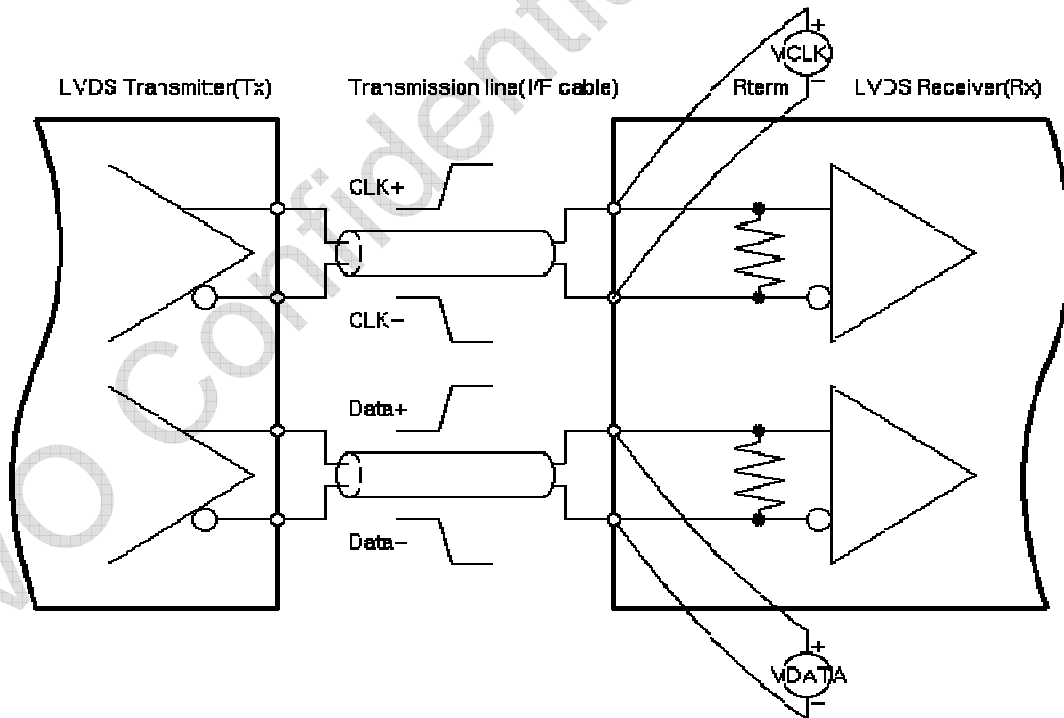


Figure 8 Measurement System

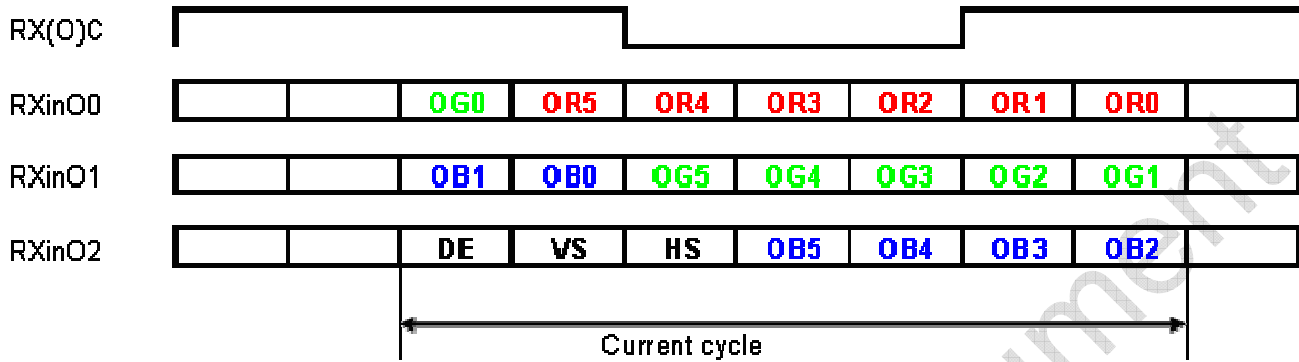


昆山龙腾光电有限公司

InfoVision Optoelectronics (Kunshan) Co.,LTD.

Document Title	M101NWT2 R2 Product Information			Page No.	15/28
Document No.		Issue Date	2010/05/20	Revision	07

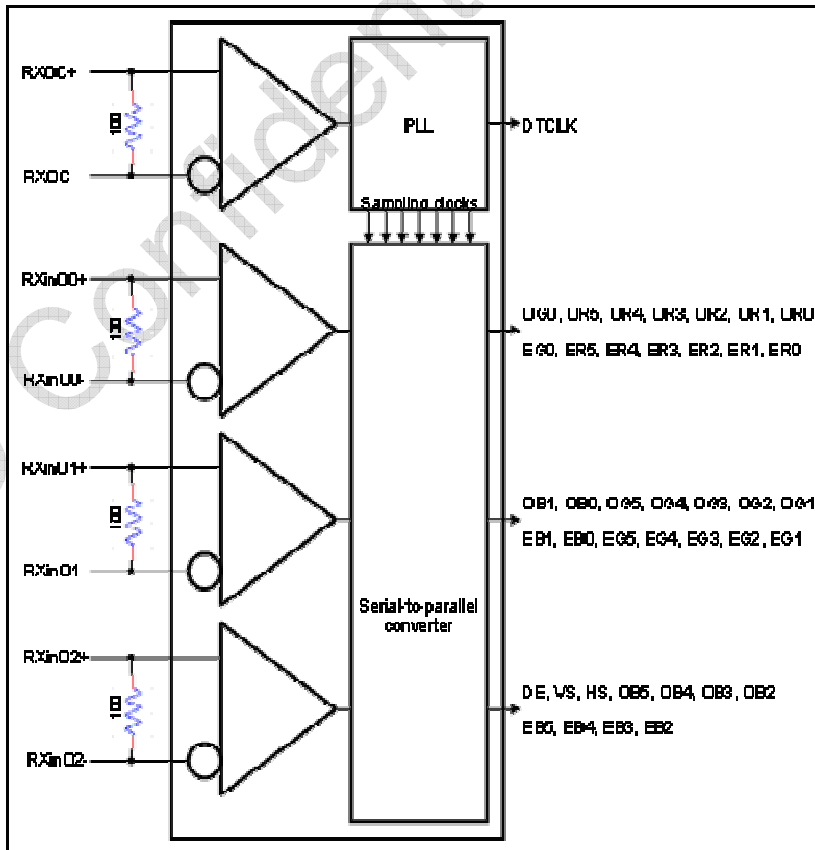
Figure 9 Data mapping



6.2.2 LVDS Receiver Internal Circuit

Figure 10 LVDS Receiver Internal Circuit shows the internal block diagram of the LVDS receiver. This LCD module equips termination resistors for LVDS link.

Figure 10 LVDS Receiver Internal Circuit



Document Title	M101NWT2 R2 Product Information			Page No.	16/28
Document No.		Issue Date	2010/05/20	Revision	07

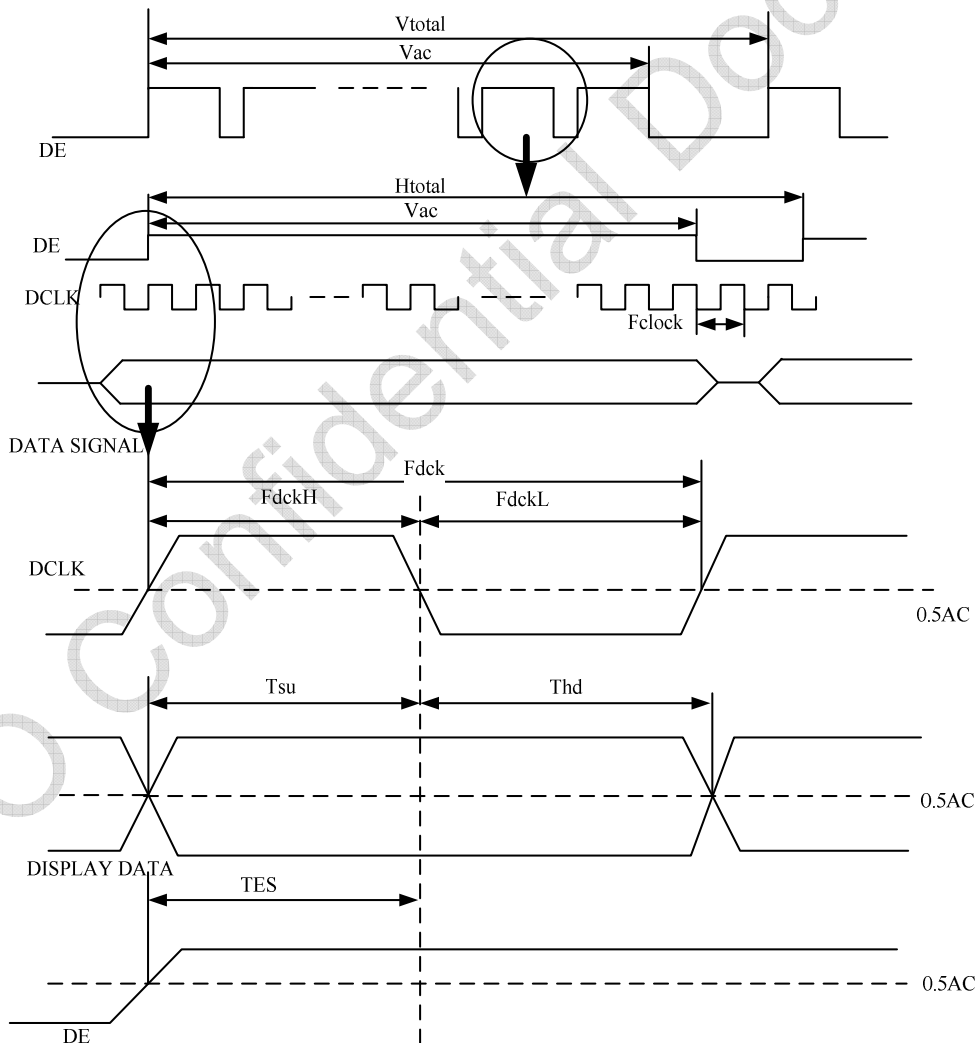
7. Interface Timings

7.1 Timing Characteristics

Table 7 Interface Timings

Parameter	Symbol	Unit	min	Typ.	Max
LVDS Clock Frequency(single)	Fdck	MHz	44.4	50.4	65.2
H Total Time	Htotal	clocks	1320	1344	1362
H Active Time	Hac	clocks	1024	1024	1024
V Total Time	Vtotal	lines	612	625	638
V Active Time	Vac	lines	600	600	600
Frame Rate	Vsync	Hz	55	60	65

Figure 11 Timing Characteristics



Note: TES is data enable signal setup time.

昆山龙腾光电有限公司

InfoVision Optoelectronics (Kunshan) Co.,LTD.

Document Title	M101NWT2 R2 Product Information			Page No.	17/28
Document No.		Issue Date	2010/05/20	Revision	07

8 Power Consumption

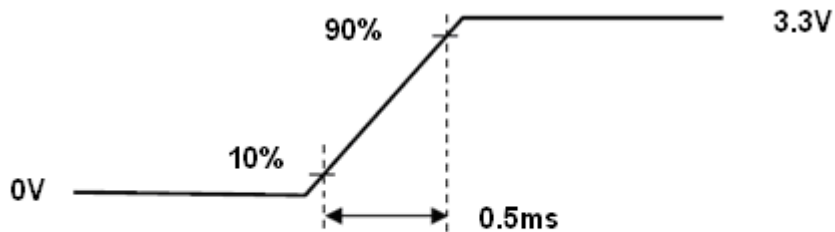
Input power specifications are as follows.

Table 8 Power Consumption

Symbol	Parameter	Min	Typ.	Max	Units	Condition
VDD	Logic/LCD Drive Voltage	3.0	3.3	3.6	[V]	
IDD	VDD Current	-	160	-	[mA]	All black pattern, 60Hz
PDD	VDD Power	-	-	0.7	[W]	Black pattern, 60Hz
Irush	Rush Current	-	-	2	[A]	Note1
VDDrp	Allowable Logic/LCD Drive Ripple Voltage	-	-	300	[mVp-p]	

Note: 1.Measure Condition

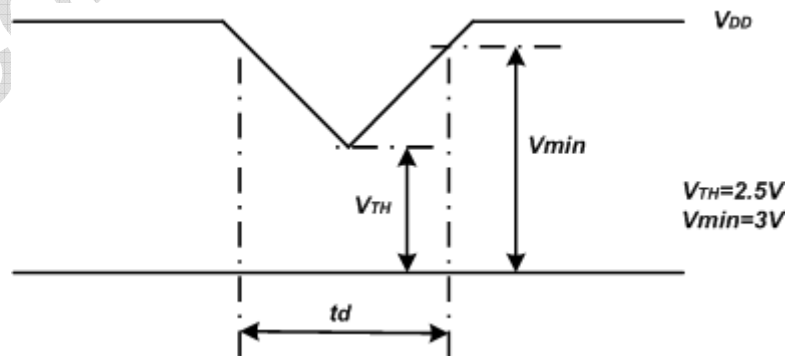
Figure 12 VDD rising time



VDD rising time

2.VDD Power Dip Condition

Figure 13 VDD Power Dip



If $V_{TH} < V_{DD} \leq V_{min}$, then $t_d \leq 10ms$; when the voltage return to normal our panel must revive automatically.

Document Title	M101NWT2 R2 Product Information			Page No.	18/28
Document No.		Issue Date	2010/05/20	Revision	07

9 Power ON/OFF Sequence

VDD power, interface signals, and lamp on/off sequence are shown in Figure 12. Signals shall be Hi-Z state or low level when VDD is off.

Figure 12 Power Sequence

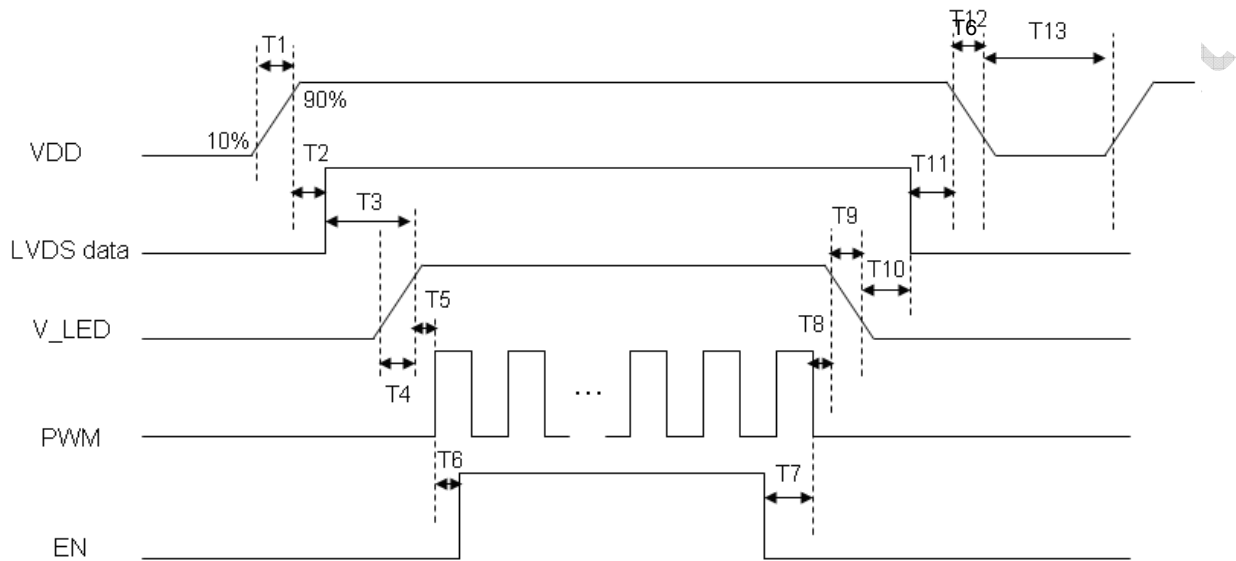


Table 9 Power Sequencing Requirements

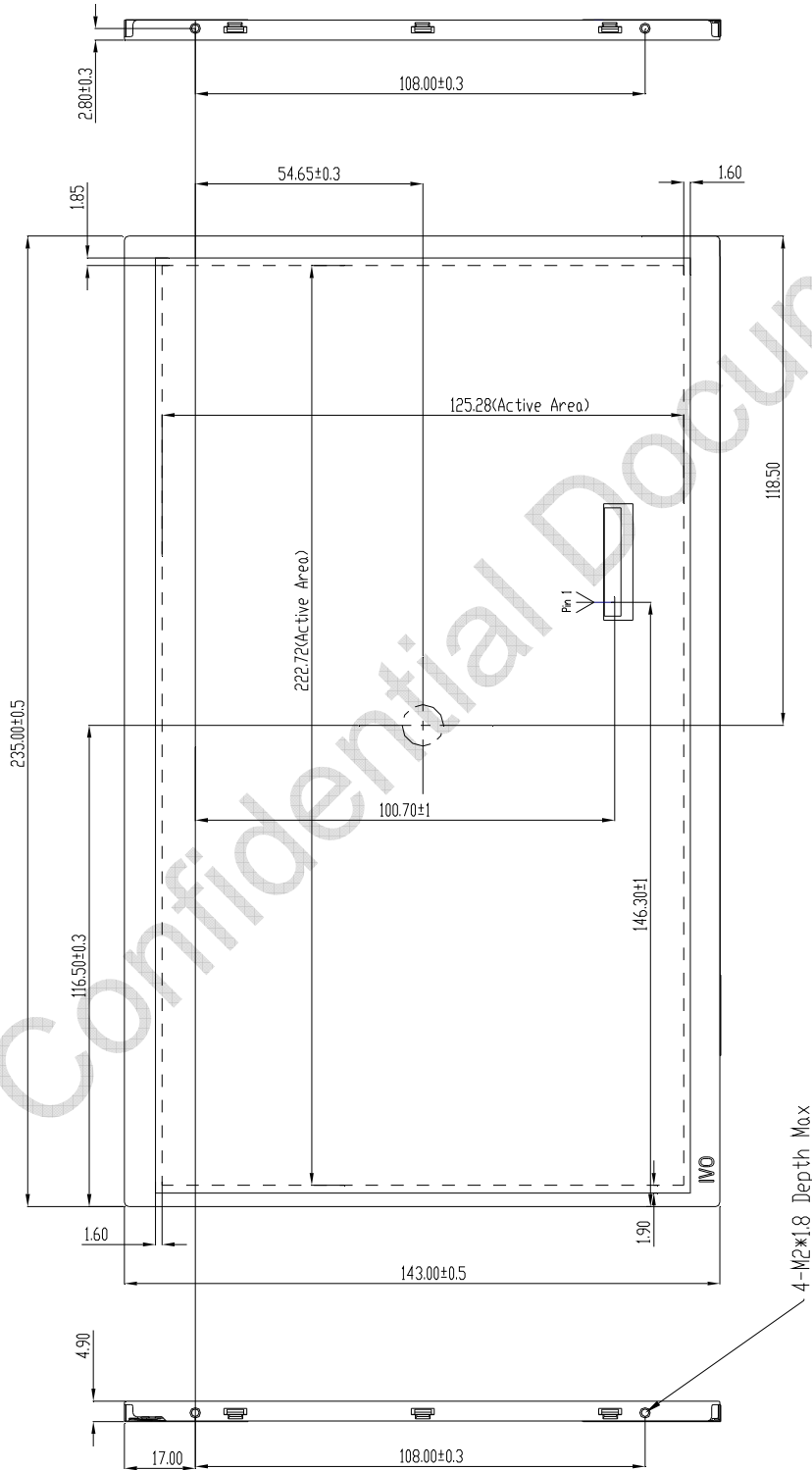
Parameter	Symbol	Unit	min	typ	max
VDD Rise Time	T1	ms	0.5	--	10
VDD Good to Signal Valid	T2	ms	30	--	90
Signal Valid to Backlight On	T3	ms	200	--	--
Backlight Power On Time	T4	ms	0.5	--	--
Backlight VDD Good to System PWM On	T5	ms	10	--	--
System PWM ON to Backlight Enable ON	T6	ms	10	--	--
Backlight Enable Off to System PWM Off	T7	ms	0	--	--
System PWM Off to B/L Power Disable	T8	ms	10	--	--
Backlight Power Off Time	T9	ms	--	10	30
Backlight Off to Signal Disable	T10	ms	200	--	--
Signal Disable to Power Down	T11	ms	0	--	50
VDD Fall Time	T12	ms	--	10	30
Power Off	T13	ms	500	--	--

昆山龙腾光电有限公司
 InfoVision Optoelectronics (Kunshan) Co.,LTD.

Document Title	M101NWT2 R2 Product Information			Page No.	19/28
Document No.		Issue Date	2010/05/20	Revision	07

10 Mechanical Characteristics

Figure 13 Reference Outline Drawing (Front Side)

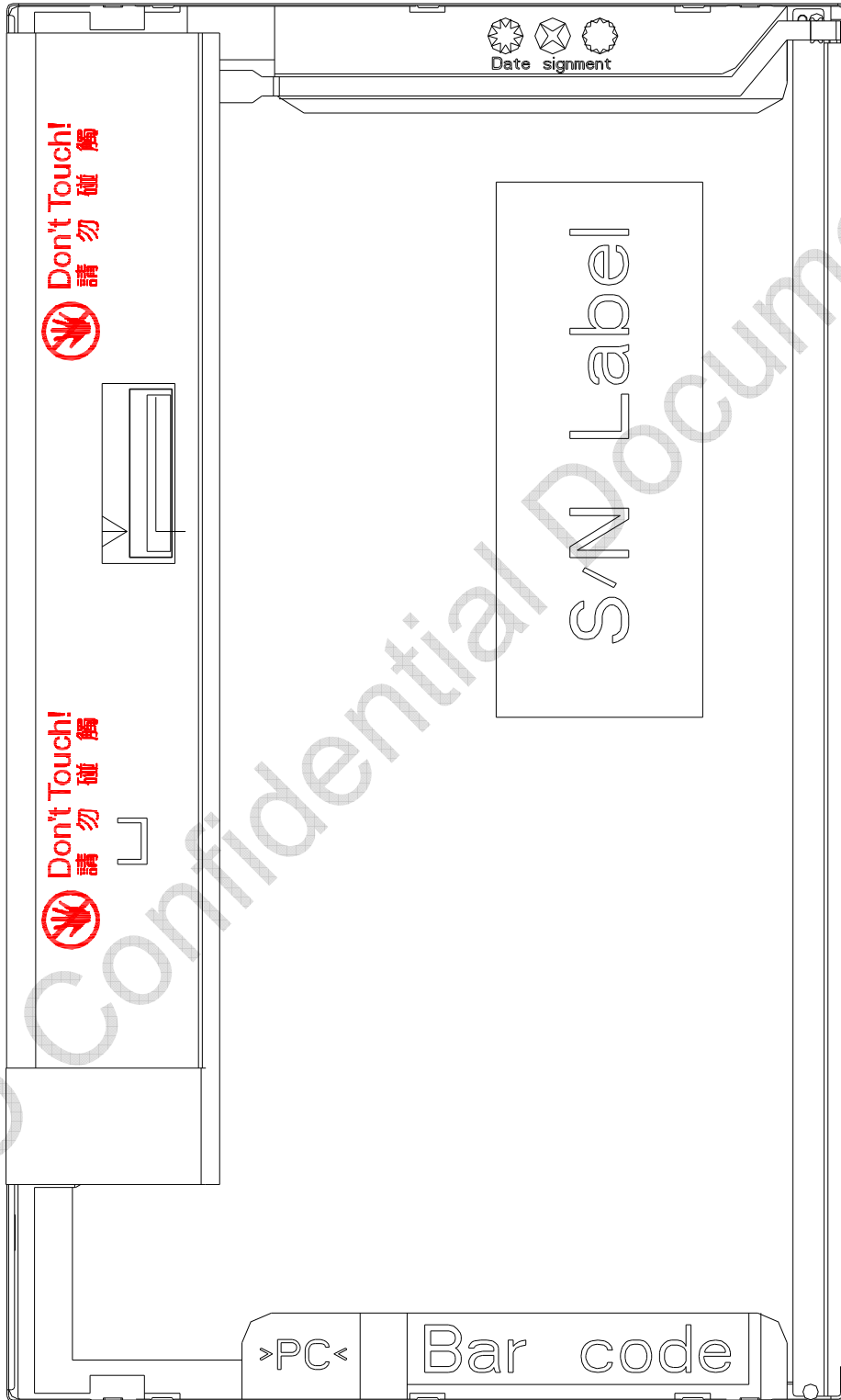


昆山龙腾光电有限公司

InfoVision Optoelectronics (Kunshan) Co.,LTD.

Document Title	M101NWT2 R2 Product Information			Page No.	20/28
Document No.		Issue Date	2010/05/20	Revision	07

Figure 14 Reference Outline Drawing (Back Side)



昆山龙腾光电有限公司

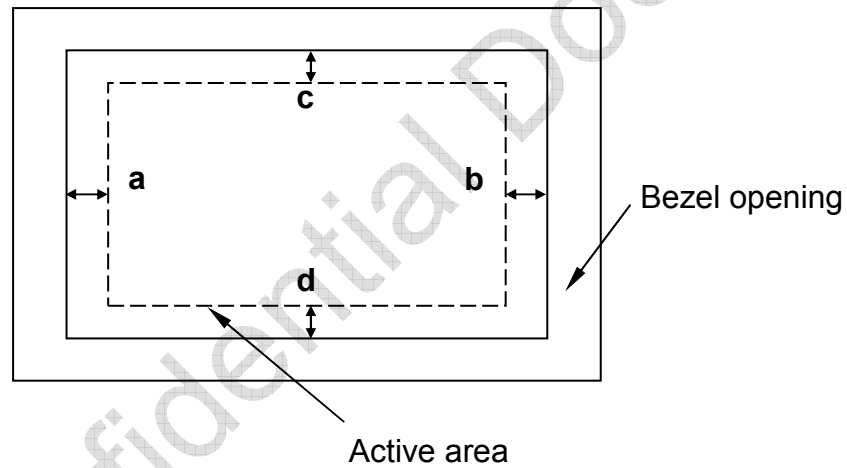
InfoVision Optoelectronics (Kunshan) Co.,LTD.

Document Title	M101NWT2 R2 Product Information			Page No.	21/28
Document No.		Issue Date	2010/05/20	Revision	07

10.1 Dimension Specifications

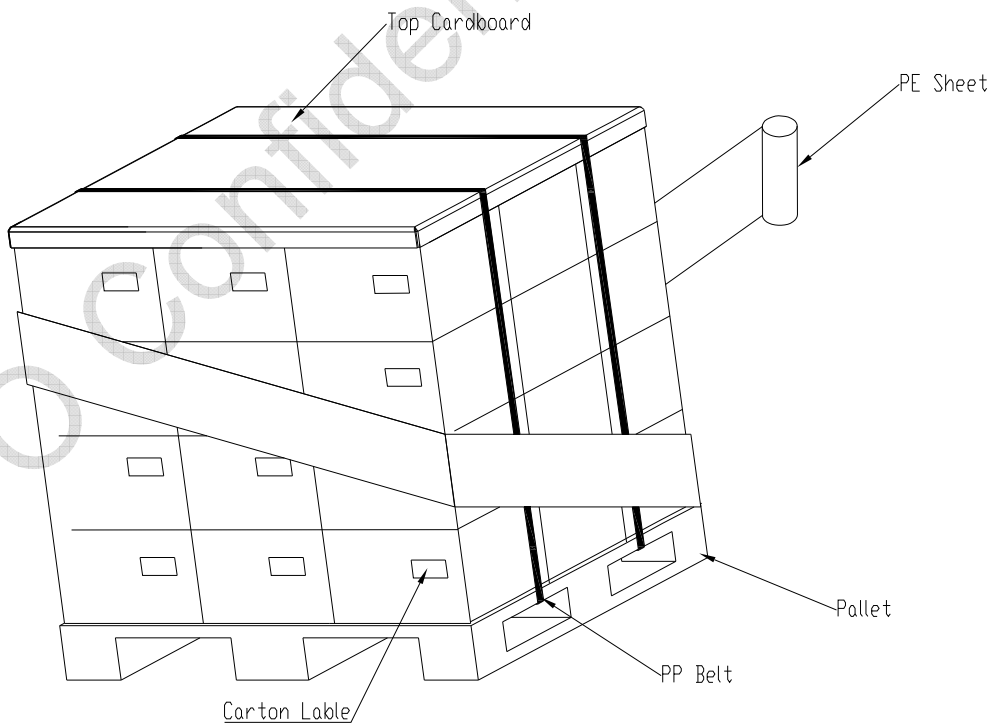
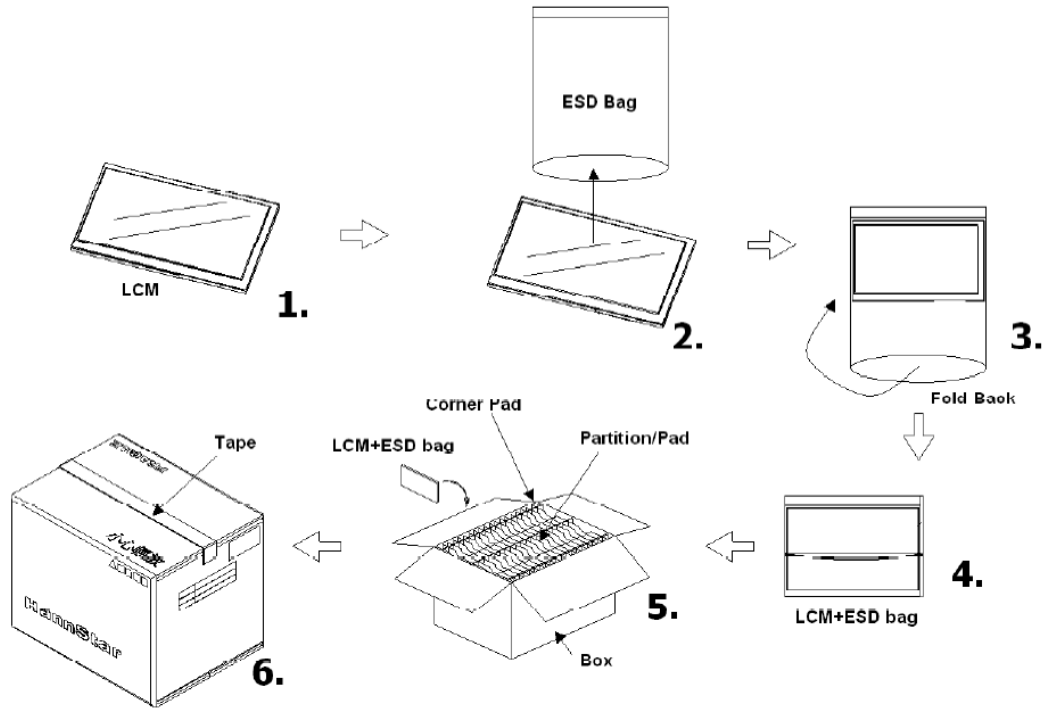
Table 10

Width [mm]		235.0±0.5
Height [mm]		143.0±0.5
Thickness [mm]		5.2 (max)
Bezel Opening [mm]	X	226.47±0.5
	Y	128.48±0.5
Weight [g]		190(max)
BM Width	a-b & c-d	≤1.0 mm



Document Title	M101NWT2 R2 Product Information			Page No.	22/28
Document No.		Issue Date	2010/05/20	Revision	07

11 Package Specification

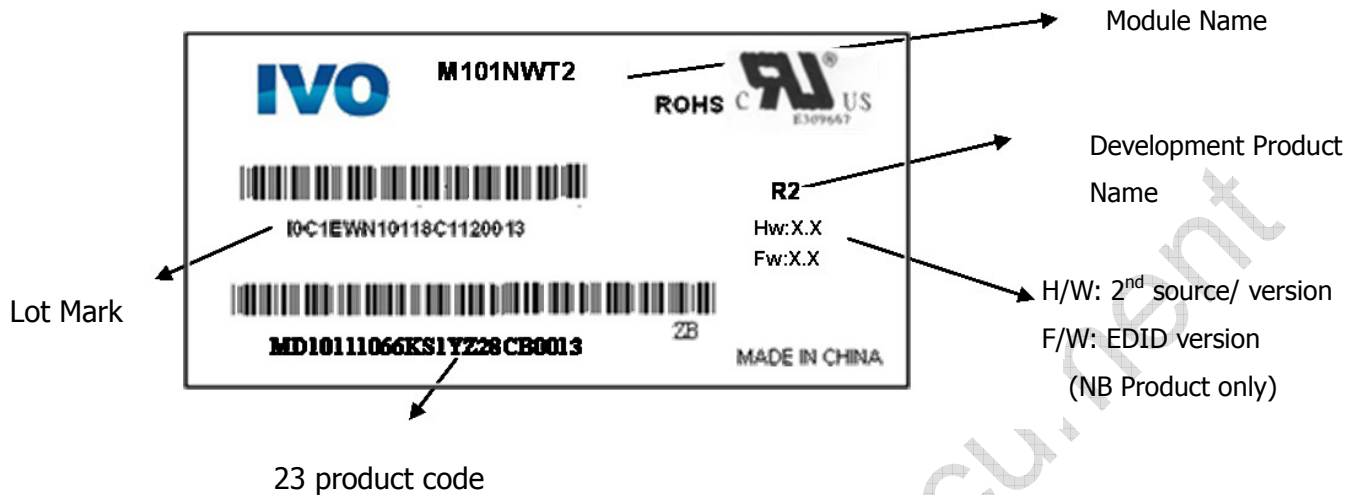


昆山龙腾光电有限公司

InfoVision Optoelectronics (Kunshan) Co.,LTD.

Document Title	M101NWT2 R2 Product Information			Page No.	23/28
Document No.		Issue Date	2010/05/20	Revision	07

12 Lot Mark



12.1 Lot Mark

1	2	3	4	5	6	7	8	9	10	11	12	13	14	15	16	17	18	19	20
---	---	---	---	---	---	---	---	---	----	----	----	----	----	----	----	----	----	----	----

code 1,2,4,5,6,7,8,9,10,11,16: IVO internal flow control code.
 code 3: production location.
 code 12: production year.
 code 13: production month.
 code 14,15: production date.
 Code 17,18,19,20: serial number.

Note (1) Production Year

Year	2006	2007	2008	2009	2010	2011	2012	2013	2014	2015
Mark	6	7	8	9	A	B	C	D	E	F

Note (2) Production Month

Month	Jan.	Feb.	Mar.	Apr.	May.	Jun.	Jul.	Aug.	Sep.	Oct	Nov.	Dec.
Mark	1	2	3	4	5	6	7	8	9	A	B	C

12.2 23 product barcode

1	2	3	4	5	6	7	8	9	10	11	12	13	14	15	16	17	18	19	20	21	22	23
---	---	---	---	---	---	---	---	---	----	----	----	----	----	----	----	----	----	----	----	----	----	----

code 1,2: MD Module Domain
 code 3,4,5,6,7: IVO internal module name.
 code 8,9,10,13,16: IVO internal flow control code.

昆山龙腾光电有限公司

InfoVision Optoelectronics (Kunshan) Co.,LTD.

Document Title	M101NWT2 R2 Product Information			Page No.	24/28
Document No.		Issue Date	2010/05/20	Revision	07

code 11,12: Cell location Suzhou defined as "SZ".

code 14 ,15: Module line kunshan defined as" KS".

code 17,18,19 : Year, Month, Day Refer to IVO barcode Note(1),Note(2).

code 20~23 : Serial Number.

13 General Precaution

a) Use Restriction

This product is not authorized for use in life supporting systems, aircraft navigation control systems, military systems and any other application where performance failure could be life-threatening or otherwise catastrophic.

b) Handling Precaution

- 1) Please mount LCD module by using mounting holes arranged in four corners tightly.
- 2) Do not disassemble or modify the module. It may damage sensitive parts inside LCD module, and may cause scratches or dust on the display. MTD does not warrant the module, if customers disassemble or modify the module.
- 3) If LCD panel is broken and liquid crystal spills out, do not ingest or inhale liquid Crystal, and do not contact liquid crystal with skin. If liquid crystal contacts mouth or eyes, rinse out with water immediately. If liquid crystal contacts skin or cloths, wash it off immediately with alcohol and Rinse thoroughly with water.
- 4) Disconnect power supply before handling LCD module.
- 5) Refrain from strong mechanical shock and /or any force to the module.
- 6) Do not exceed the absolute maximum rating values, such as the supply voltage variation, input voltage variation, variation in parts' parameters, environmental temperature; etc otherwise LCD module may be damaged. It's recommended employing protection circuit for power supply.
- 7) Do not touch, push or rub the polarizer with anything harder than HB pencil lead. Use fingerstalls of soft gloves in order to keep clean display quality, when Persons handle the LCD module for incoming inspection or assembly.
- 8) When the surface is dusty, please wipe gently with absorbent cotton or other soft Material. When cleaning the adhesives, please use absorbent cotton wetted with a little Petroleum benzene or other adequate solvent.
- 9) Wipe off saliva or water drops as soon as possible. If saliva or water drops Contact with polarizer for a long time, they may causes deformation or color Fading.
- 10) Protection film must remove very slowly from the surface of LCD module to Prevent from electrostatic occurrence.
- 11) Because LCD module uses CMOS-IC on circuit board and TFT-LCD panel, it is Very weak to electrostatic discharge, Please be careful with electrostatic Discharge .Persons who handle the module should be grounded through adequate methods.
- 12) Do not adjust the variable resistor located on the module.

c) Storage Precaution

- 1) Please do not leave LCD module in the environment of high humidity and high temperature for a long time.
- 2) The module shall not be exposed under strong light such as direct sunlight. Otherwise, Display characteristics may be changed.
- 3) The module should be stored in a dark place. It is prohibited to apply sunlight or fluorescent light in storage.

昆山龙腾光电有限公司

InfoVision Optoelectronics (Kunshan) Co.,LTD.

Document Title	M101NWT2 R2 Product Information			Page No.	25/28
Document No.		Issue Date	2010/05/20	Revision	07

d) Operation Precaution

- 1) Do not connect or disconnect the module in the "Power On" condition.
- 2) Power supply should always be turned on/off by 9.0 "Power on/off sequence".
- 3) Module has high frequency circuits. Sufficient suppression to the electromagnetic interference should be done by system manufacturers. Grounding and shielding methods may be important to minimize the interference.
- 4) After installation of the TFT Module into an enclosure, do not twist nor bend the TFT Module even momentary. At designing the enclosure, it should be taken into consideration that no bending/twisting forces are applied to the TFT Module from outside. Otherwise the TFT Module may be damaged.

e) Others

- 1) Ultra-violet ray filter is necessary for outdoor operation.
- 2) Avoid condensation of water which may result in improper operation or disconnection of electrode.
- 3) If the module keeps displaying the same pattern for a long period of time, the image may be "sticked" to the screen.
- 4) This module has its circuitry PCB's on the rear side and should be handled carefully in order not to be stressed.

f) Disposal

When disposing LCD module, obey the local environmental regulations.

昆山龙腾光电有限公司

InfoVision Optoelectronics (Kunshan) Co.,LTD.

Document Title	M101NWT2 R2 Product Information			Page No.	26/28
Document No.		Issue Date	2010/05/20	Revision	07

14 EDID Data Structure

EDID Table Format					
ver:00					
Address	Address	Field Name & Comments	Value	Value	Value
(Decimal)	(HEX)		(HEX)	(BIN)	(DEC)
0	0	Header	00	00000000	0
1	1	Header	FF	11111111	255
2	2	Header	FF	11111111	255
3	3	Header	FF	11111111	255
4	4	Header	FF	11111111	255
5	5	Header	FF	11111111	255
6	6	Header	FF	11111111	255
7	7	Header	00	00000000	0
8	8	manufacture code	26	00100110	38
9	9	manufacture code	CF	11001111	207
10	0A	Product Code	F4	11110100	244
11	0B	Product Code	03	00000011	3
12	0C	LCD module Serial No –("0" if not used)	00	00000000	0
13	0D	LCD module Serial No –("0" if not used)	00	00000000	0
14	0E	LCD module Serial No –("0" if not used)	00	00000000	0
15	0F	LCD module Serial No –("0" if not used)	00	00000000	0
16	10	Week of manufacture	0A	00001010	10
17	11	Year of manufacture	14	00010100	20
18	12	EDID Structure Ver # = 1	01	00000001	1
19	13	EDID revision # = 3	03	00000011	3
20	14	Video IP definition = Digital IP (80h)	80	10000000	128
21	15	Max H image size = (Rounded to cm)	16	00010110	22
22	16	Max V image size = (Rounded to cm)	0D	00001101	13
23	17	Display Gamma	78	01111000	120
24	18	Feature support (no DPMS, Active off, RGB, timing BLK 1)	0A	00001010	10
25	19	Red/Green Low bits (RxRy/GxGy)	21	00100001	33
26	1A	Blue/White Low bits (BxBy/WxWy)	D0	11010000	208
27	1B	Red X Rx	94	10010100	148
28	1C	Red Y Ry	58	01011000	88
29	1D	Green X Gx	56	01010110	86
30	1E	Green Y Gy	8F	10001111	143
31	1F	Blue X Bx	27	00100111	39
32	20	Blue Y By	1F	00011111	31
33	21	White X Wx	50	01010000	80
34	22	White Y Wy	54	01010100	84
35	23	Established timings 1 (00h if not used)	00	00000000	0
36	24	Established timing 2 (00h if not used)	00	00000000	0
37	25	Manufacturer's timings (00h if not used)	00	00000000	0
38	26	Standard timing ID1 (01h if not used)	01	00000001	1
39	27	Standard timing ID1 (01h if not used)	01	00000001	1
40	28	Standard timing ID2 (01h if not used)	01	00000001	1
41	29	Standard timing ID2 (01h if not used)	01	00000001	1
42	2A	Standard timing ID3 (01h if not used)	01	00000001	1
43	2B	Standard timing ID3 (01h if not used)	01	00000001	1
44	2C	Standard timing ID4 (01h if not used)	01	00000001	1
45	2D	Standard timing ID4 (01h if not used)	01	00000001	1

昆山龙腾光电有限公司
InfoVision Optoelectronics (Kunshan) Co.,LTD.

Document Title	M101NWT2 R2 Product Information			Page No.	27/28
Document No.		Issue Date	2010/05/20	Revision	07

46	2E	Standard timing ID5 (01h if not used)	01	00000001	1
47	2F	Standard timing ID5 (01h if not used)	01	00000001	1
48	30	Standard timing ID6 (01h if not used)	01	00000001	1
49	31	Standard timing ID6 (01h if not used)	01	00000001	1
50	32	Standard timing ID7 (01h if not used)	01	00000001	1
51	33	Standard timing ID7 (01h if not used)	01	00000001	1
52	34	Standard timing ID8 (01h if not used)	01	00000001	1
53	35	Standard timing ID8 (01h if not used)	01	00000001	1
54	36	Pixel Clock LSB	B0	10110000	176
55	37	Pixel Clock HSB	13	00010011	19
56	38	Horizontal Active (lower 8 bits)	00	00000000	0
57	39	Hor blanking (lower 8 bits)	40	01000000	64
58	3A	Horizontal Active/Horizontal blanking (upper4:4 bits)	41	01000001	65
59	3B	Vertical active(lower 8 bits)	58	01011000	88
60	3C	Vertical blanking(lower 8 bits)	19	00011001	25
61	3D	Vertical Active : Vertical Blanking (upper4:4 bits)	20	00100000	32
62	3E	Horizontal Sync Offset	30	00110000	48
63	3F	Horizontal Sync Pulse Width	20	00100000	32
64	40	Vertical Sync Offset , Sync Width	3A	00111010	58
65	41	Horizontal Vertical Sync Offset/Width upper 2 bits	00	00000000	0
66	42	Horizontal Image Size	DF	11011111	223
67	43	Vertical image Size	7D	01111101	125
68	44	Horizontal Image Size / Vertical image size	00	00000000	0
69	45	Horizontal Border = (0 for Notebook LCD)	00	00000000	0
70	46	Vertical Border = (0 for Notebook LCD)	00	00000000	0
71	47	Non-interlaced, Normal, no stereo, Separate sync, H/V pol Negatives,	19	00011001	25
72	48	Timing Descriptor #2	00	00000000	0
73	49		00	00000000	0
74	4A		00	00000000	0
75	4B		0F	00001111	15
76	4C		00	00000000	0
77	4D		00	00000000	0
78	4E		00	00000000	0
79	4F		00	00000000	0
80	50		00	00000000	0
81	51		00	00000000	0
82	52		00	00000000	0
83	53		00	00000000	0
84	54		00	00000000	0
85	55		00	00000000	0
86	56		00	00000000	0
87	57		00	00000000	0
88	58		00	00000000	0
89	59	Module revision	01	00000001	1
90	5A	Detailed timing/monitor descriptor#3	00	00000000	0

昆山龙腾光电有限公司
InfoVision Optoelectronics (Kunshan) Co.,LTD.

Document Title	M101NWT2 R2 Product Information			Page No.	28/28
Document No.		Issue Date	2010/05/20	Revision	07

91	5B	Flag	00	00000000	0
92	5C	Flag	00	00000000	0
93	5D	FE (hex) defines ASCII string	FE	11111110	254
94	5E	Flag	00	00000000	0
95	5F	Manufacture l	49	01001001	73
96	60	Manufacture n	6E	01101110	110
97	61	Manufacture f	66	01100110	102
98	62	Manufacture o	6F	01101111	111
99	63	Manufacture V	56	01010110	86
100	64	Manufacture i	69	01101001	105
101	65	Manufacture s	73	01110011	115
102	66	Manufacture i	69	01101001	105
103	67	Manufacture o	6F	01101111	111
104	68	Manufacture n	6E	01101110	110
105	69	New line character indicates end of ASCII string	0A	00001010	10
106	6A		20	00100000	32
107	6B		20	00100000	32
108	6C	Detailed timing/monitor descriptor #4	00	00000000	0
109	6D		00	00000000	0
110	6E		00	00000000	0
111	6F	FE (hex) defines ASCII string	FE	11111110	254
112	70	Flag	00	00000000	0
113	71	Manufacture P/N	4D	01001101	77
114	72	Manufacture P/N	31	00110001	49
115	73	Manufacture P/N	30	00110000	48
116	74	Manufacture P/N	31	00110001	49
117	75	Manufacture P/N	4E	01001110	78
118	76	Manufacture P/N	57	01010111	87
119	77	Manufacture P/N	54	01010100	84
120	78	Manufacture P/N	32	00110010	50
121	79	Manufacture P/N	20	00100000	32
122	7A	Manufacture P/N	52	01010010	82
123	7B	Manufacture P/N	32	00110010	50
124	7C	New line character indicates end of ASCII string	20	00100000	32
125	7D		0A	00001010	10
126	7E	Extension Flag = 00	00	00000000	0
127	7F	Checksum	11	00010001	17